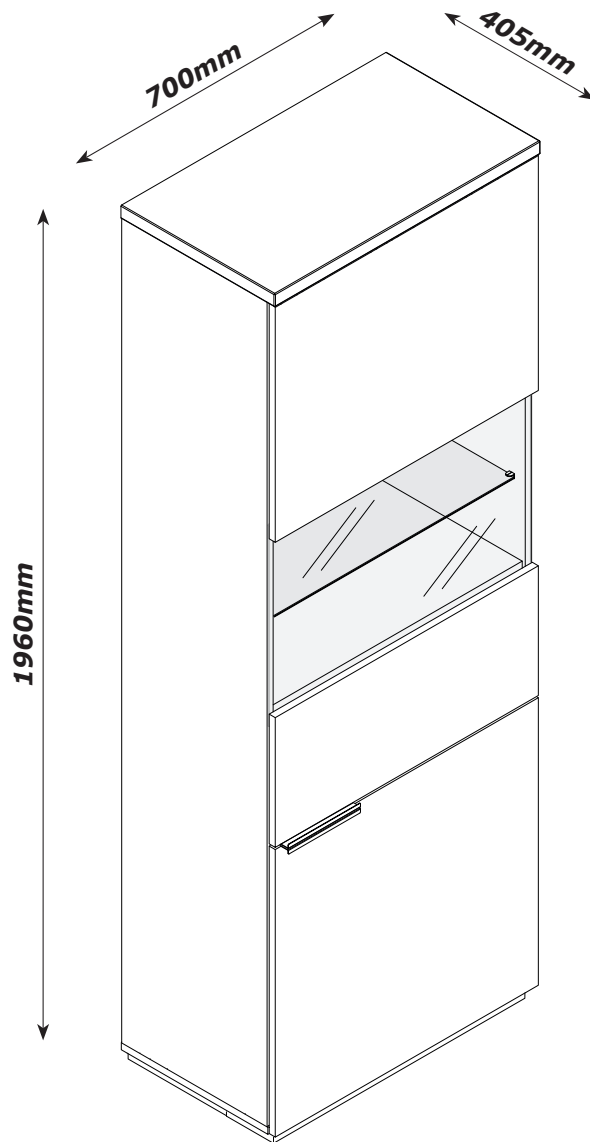


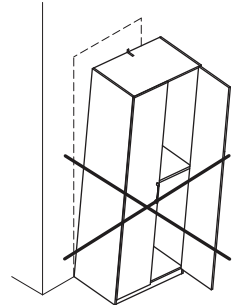
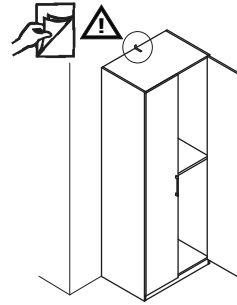
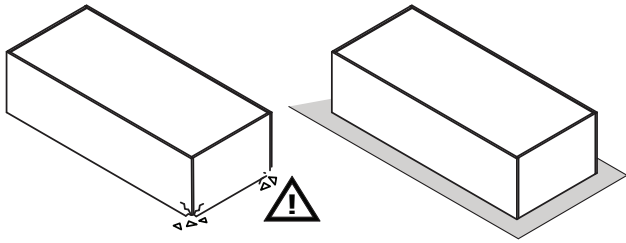
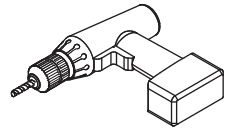
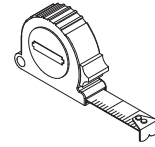
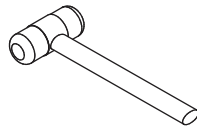
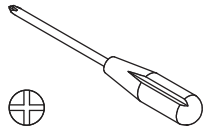
# CL0379K77404



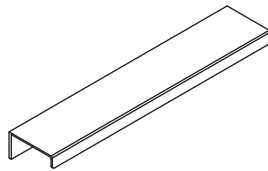
QF5751



2,5 h



### BU4911

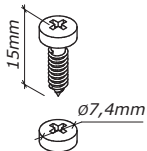


**M94**  
x2

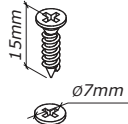
### BU4759



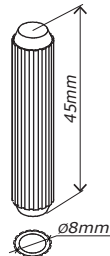
**H210**  
x6



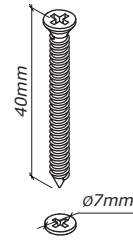
**V81**  
x12



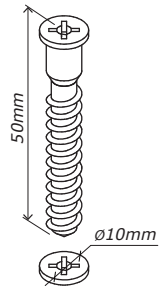
**V5**  
x22



**H325**  
x20



**V6**  
x6



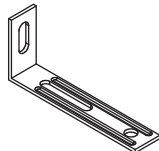
**V45**  
x4



**R46**  
x4



**R40**  
x8



**H185**  
x2



**H129**  
x4



**H2**  
x18



**T28**  
x16



**T7**  
x16



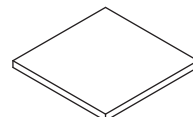
**G31**  
x9



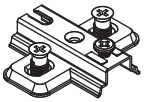
**H11**  
x8



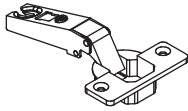
**H54**  
x18



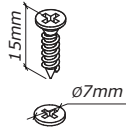
**H233**  
x4



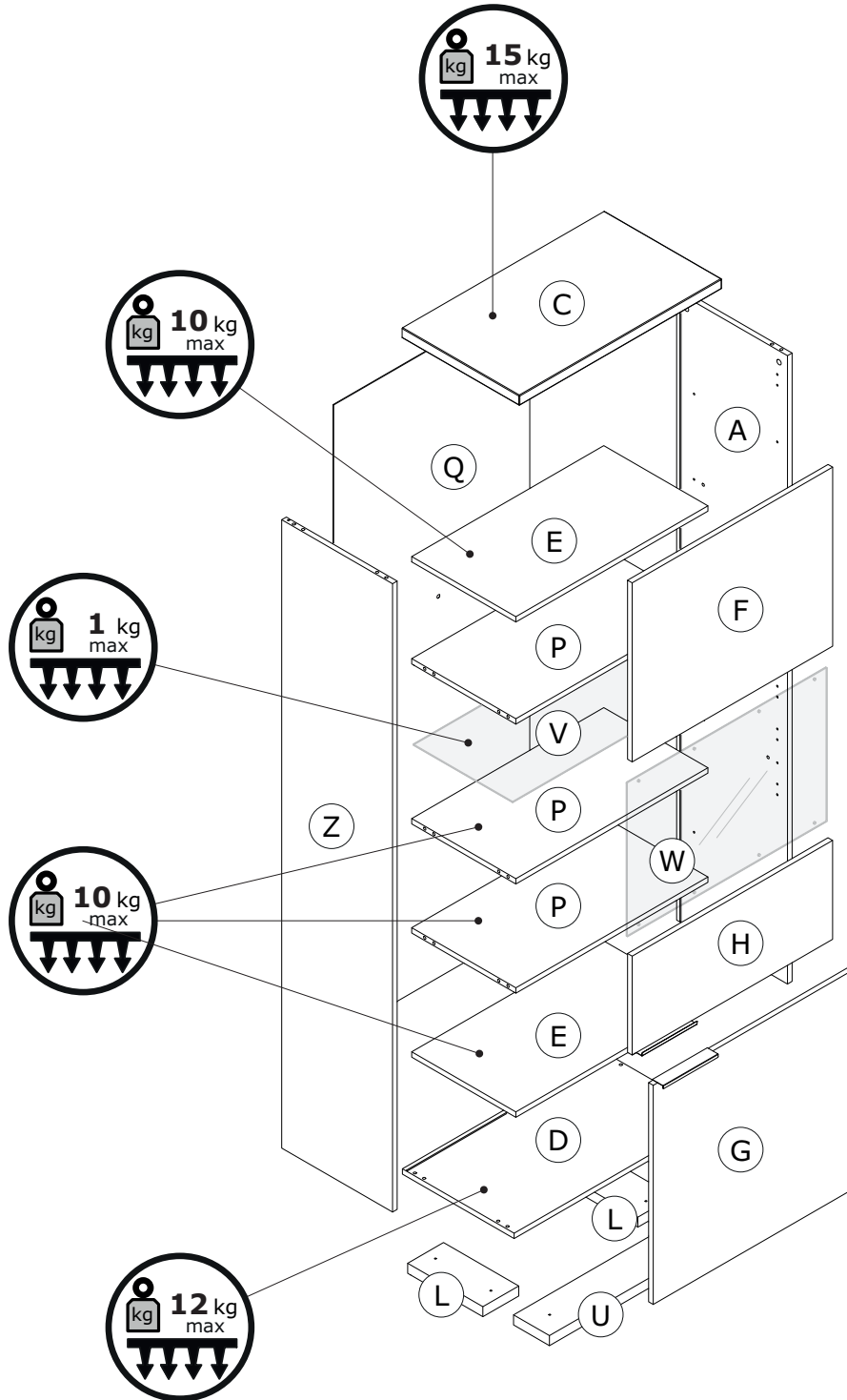
**B30**  
x3 [6]

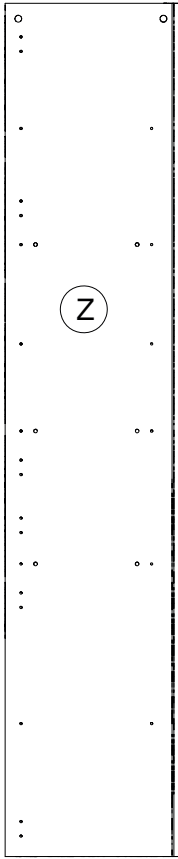


**C66**  
x3 [6]

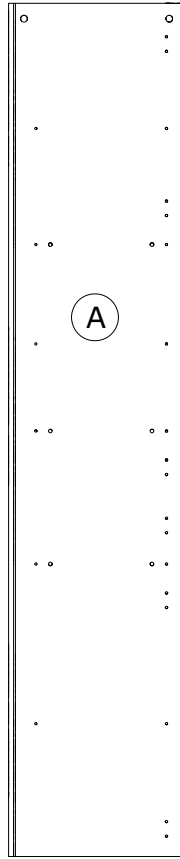


**V5**  
x6 [12]

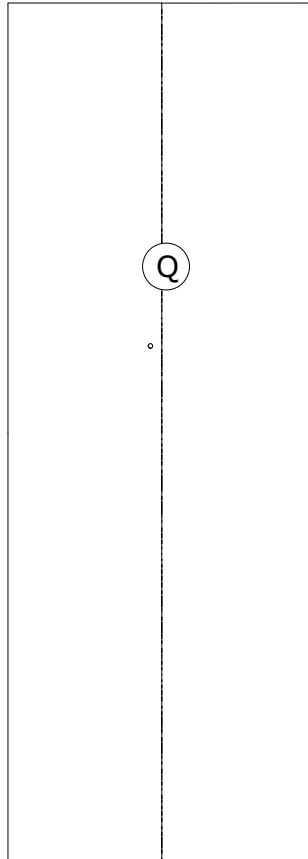




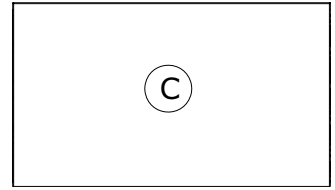
**FI9220**  
1881x383x16mm



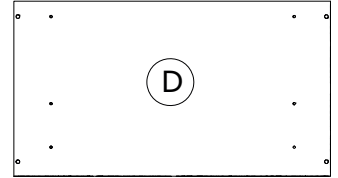
**FI9222**  
1881x383x16mm



**SS0810**  
1895x678x2mm



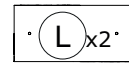
**CA3866**  
700x405x30mm



**BA2368**  
698x386x16mm

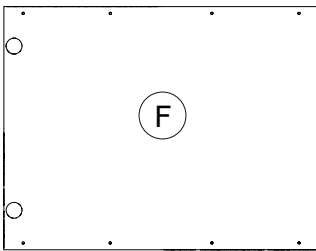


**Z01743**  
662x124x30mm

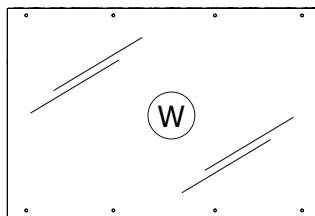


**Z01730**  
260x124x30mm

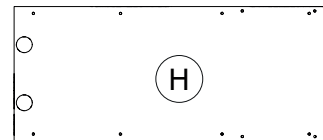
**BOX 1/2**



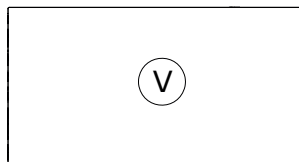
**AN3171**  
693x536x16mm



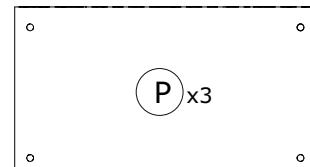
**VT0189**  
692x462x4mm



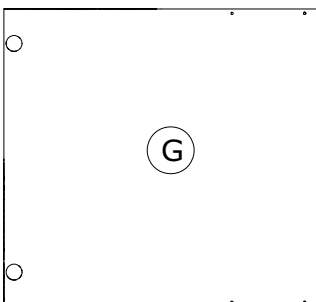
**AN3173**  
693x296x16mm



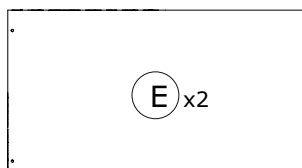
**VT0191**  
656x345x4mm



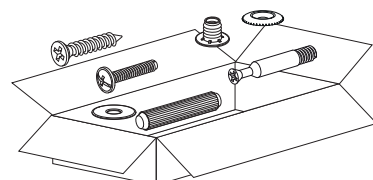
**PI7515**  
664x360x16mm



**AN3175**  
693x656x16mm

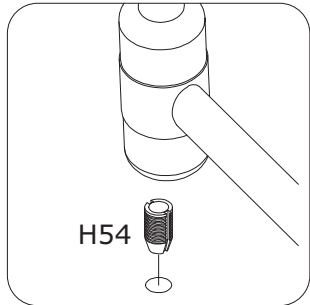
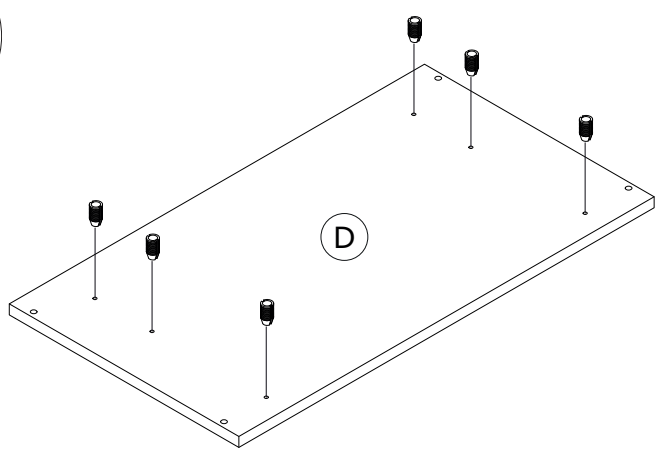
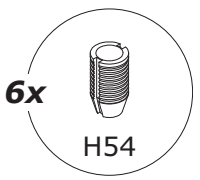
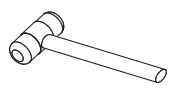


**PI7516**  
664x360x16mm

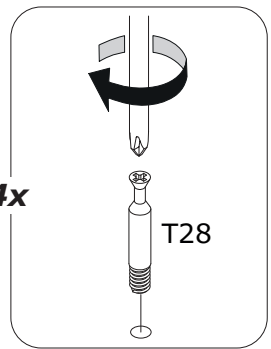
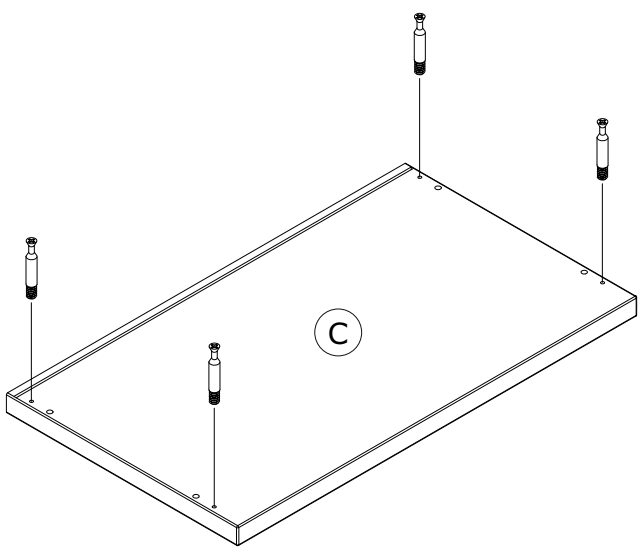
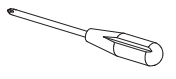


**BOX 2/2**

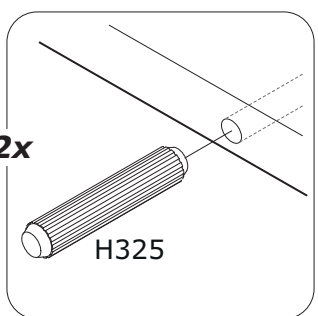
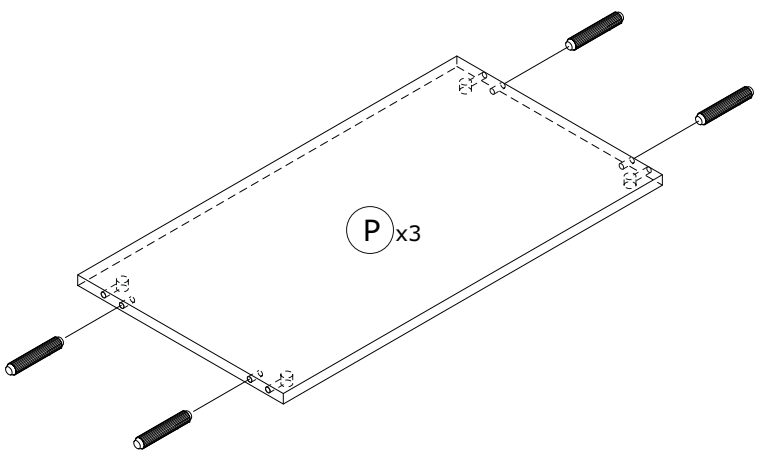
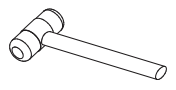
1



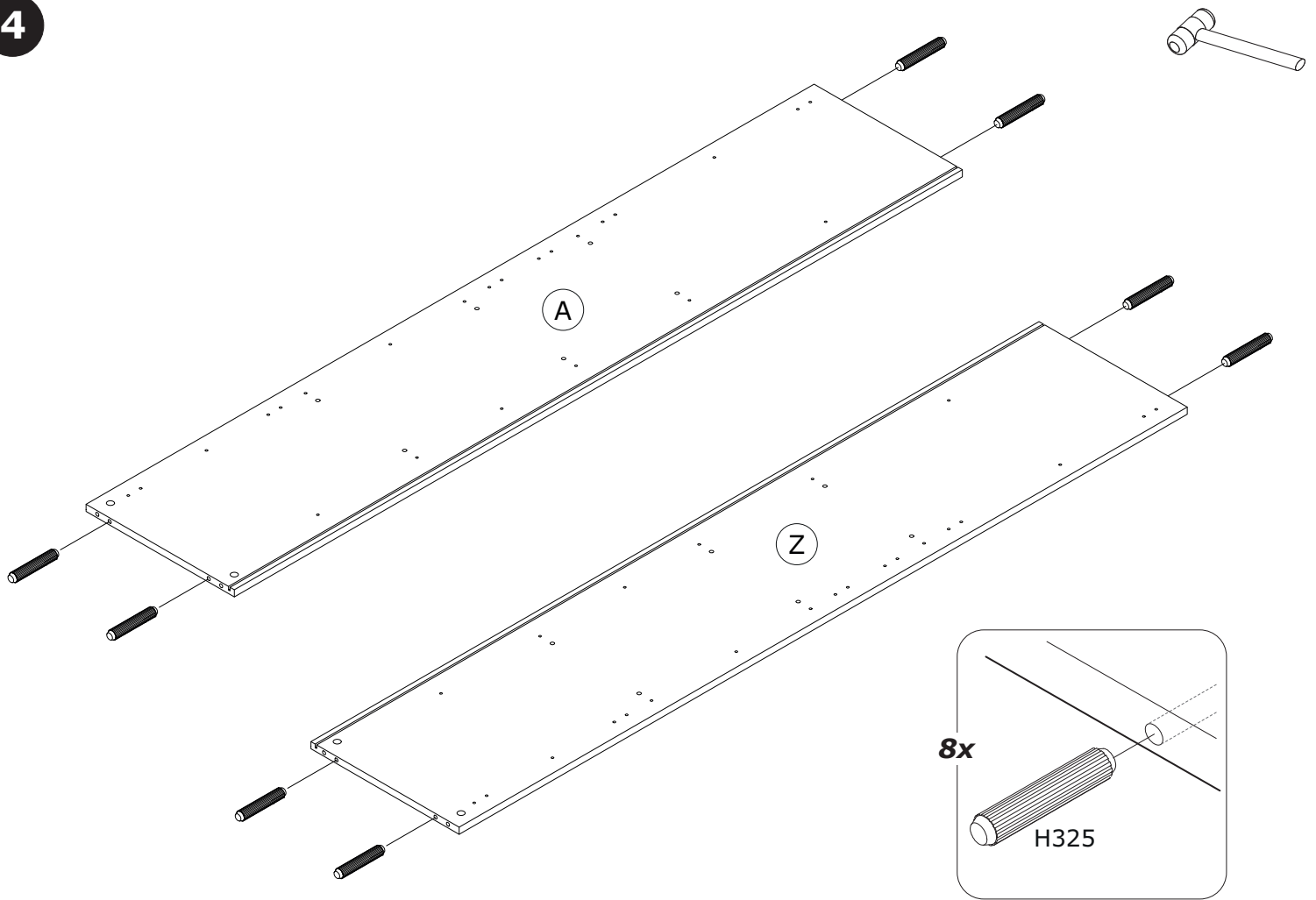
2



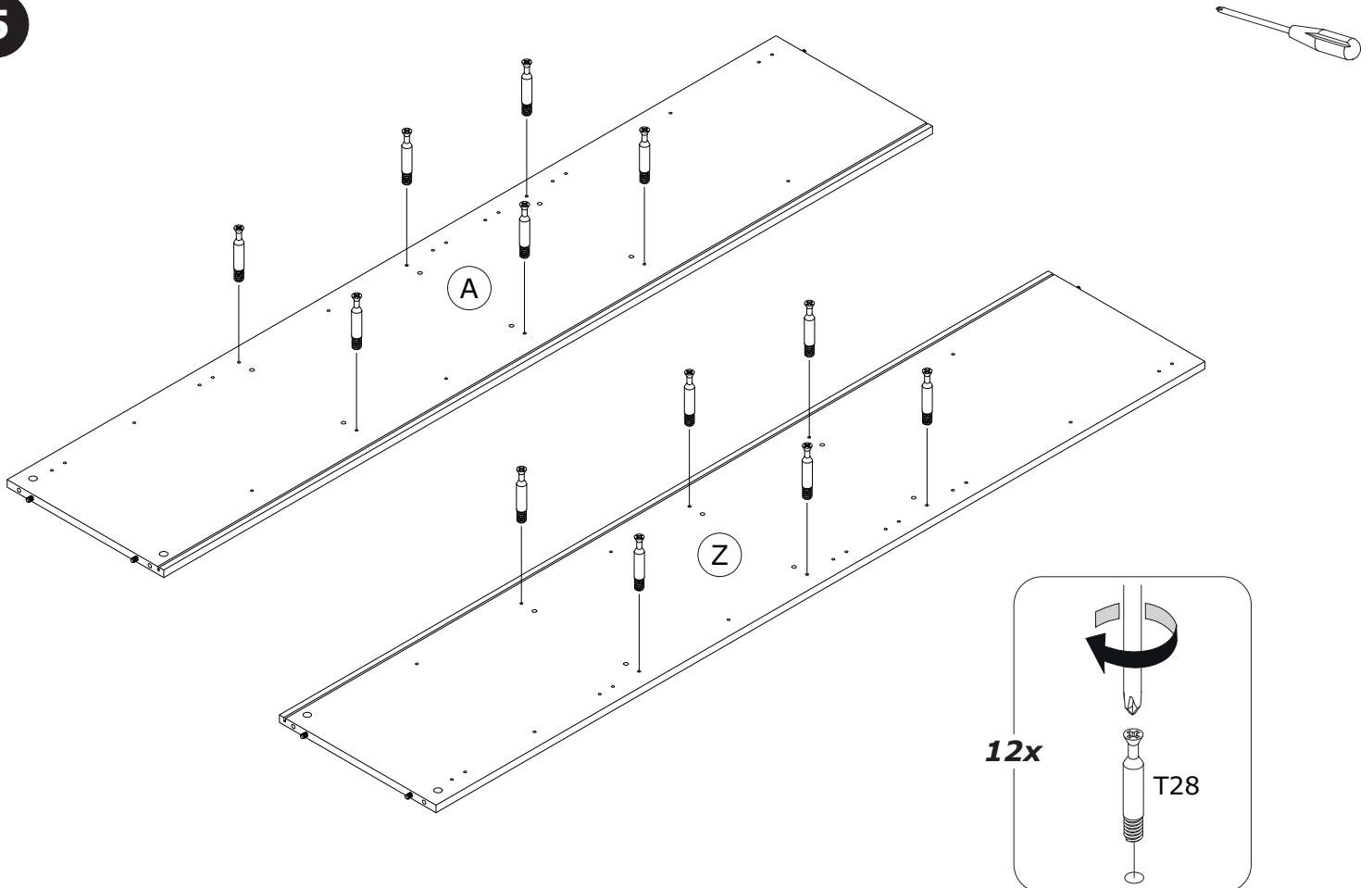
3

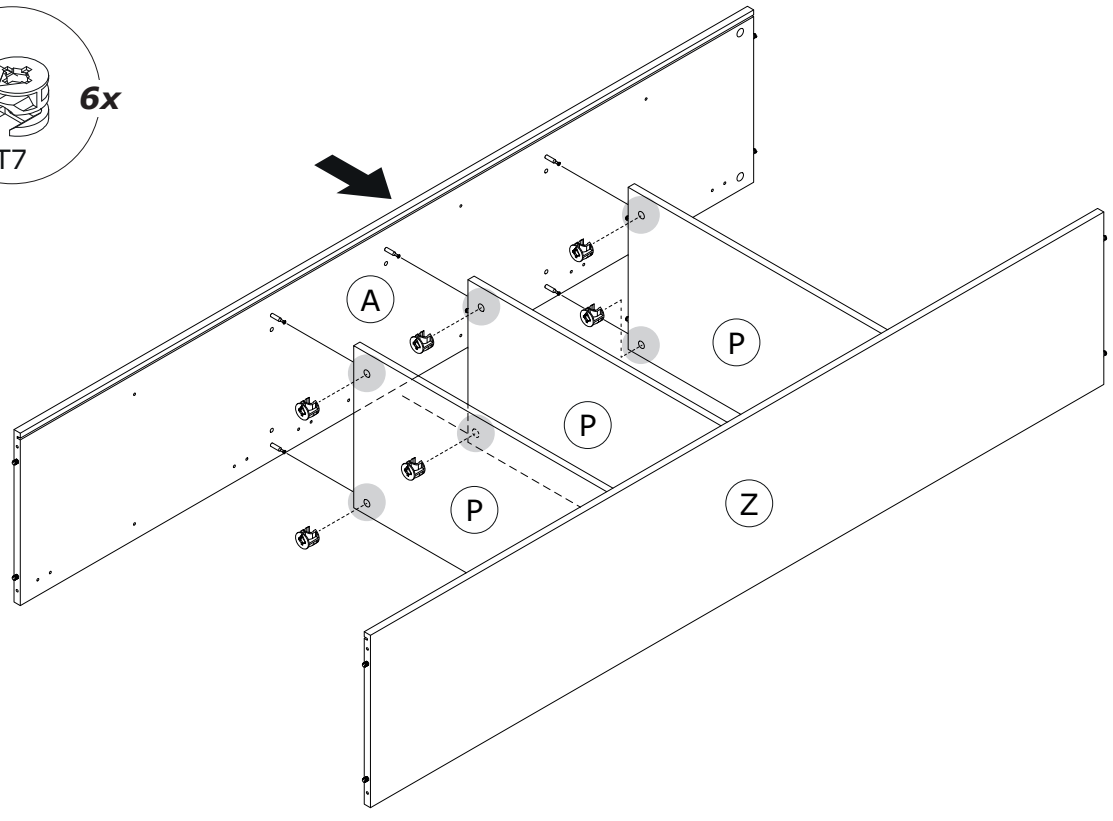
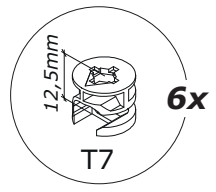
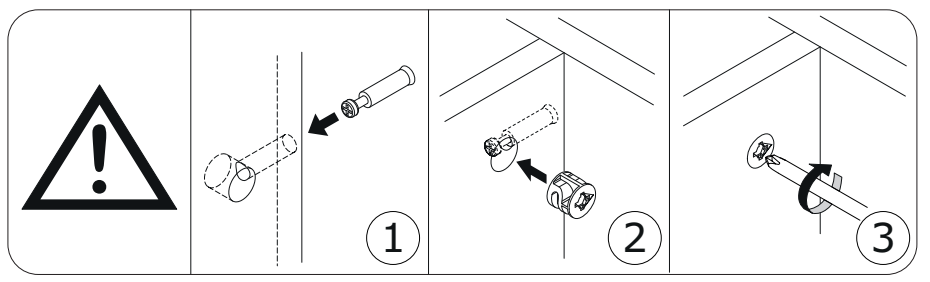
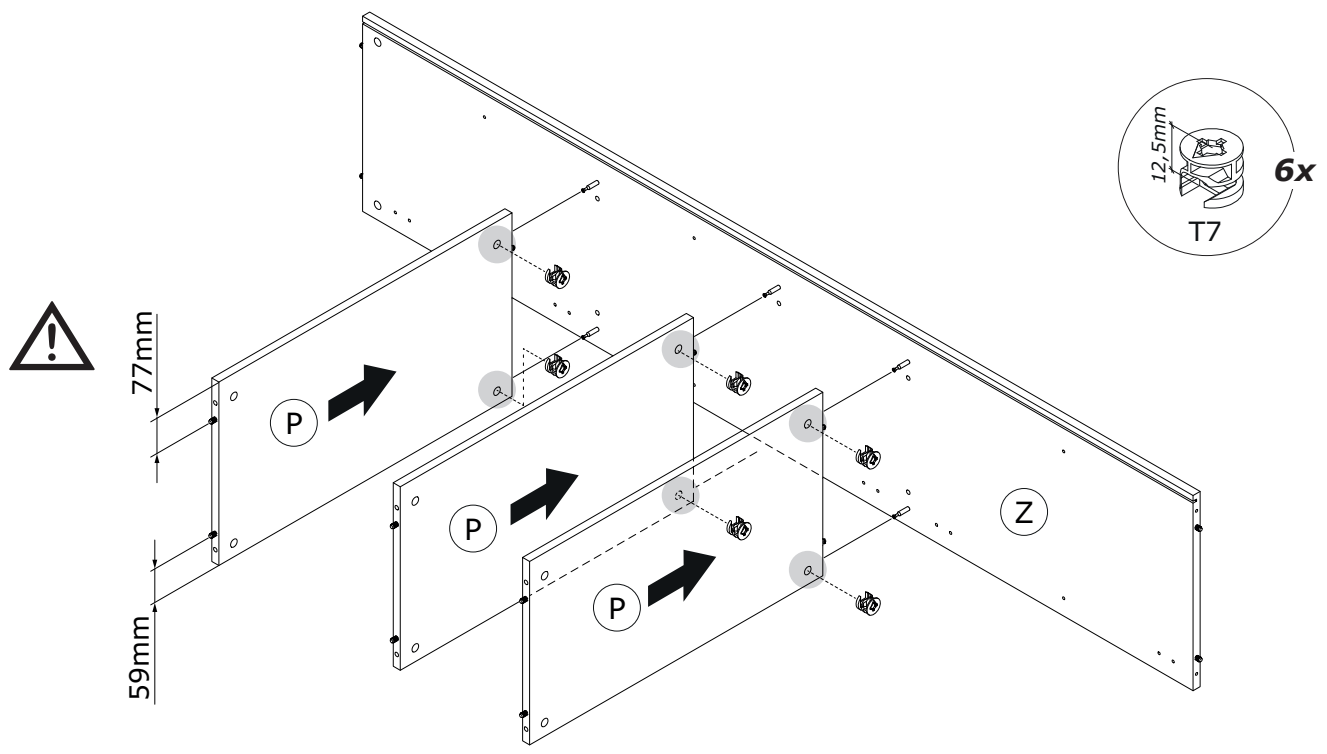
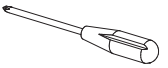


4



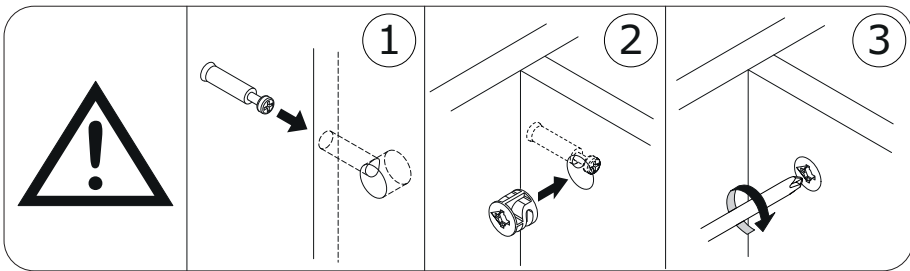
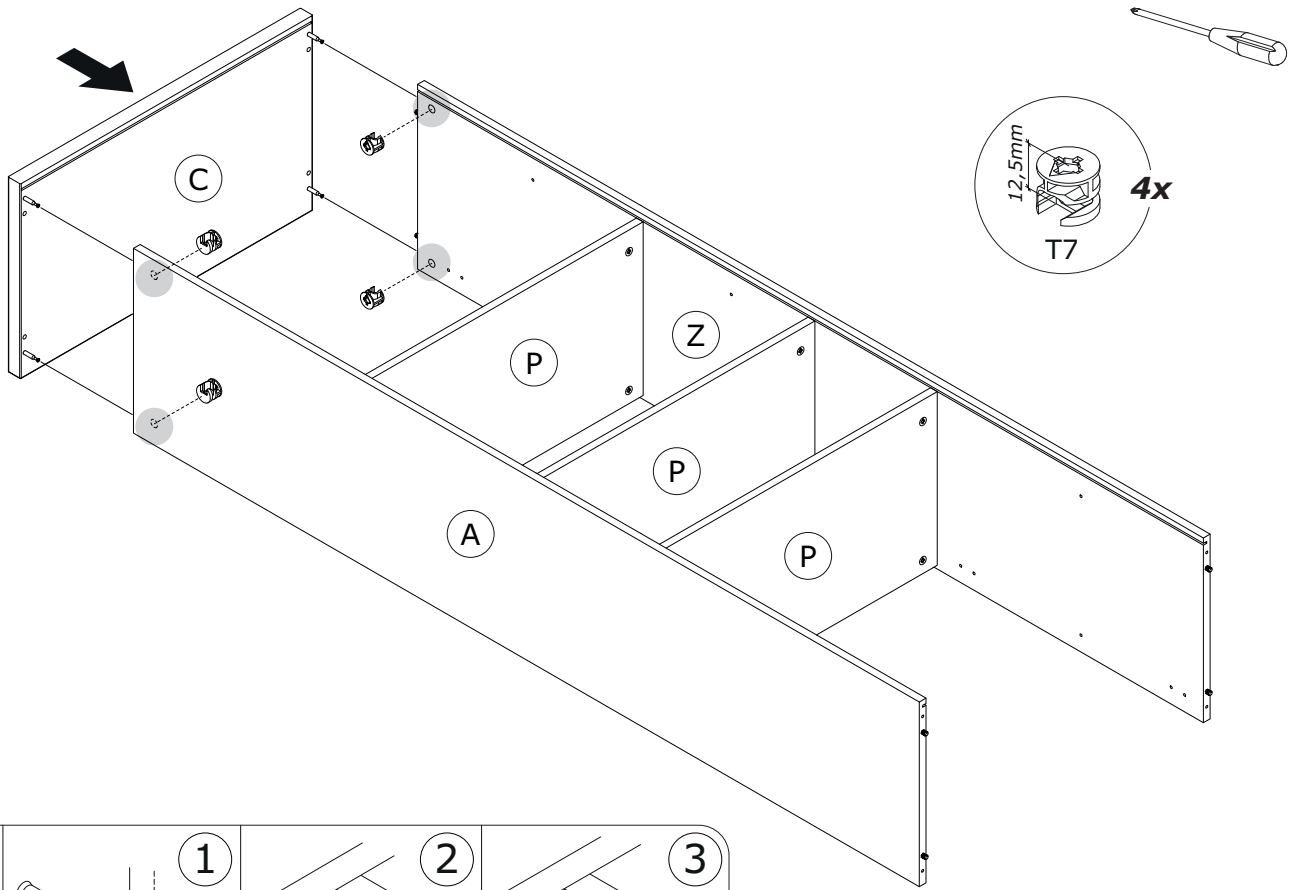
5



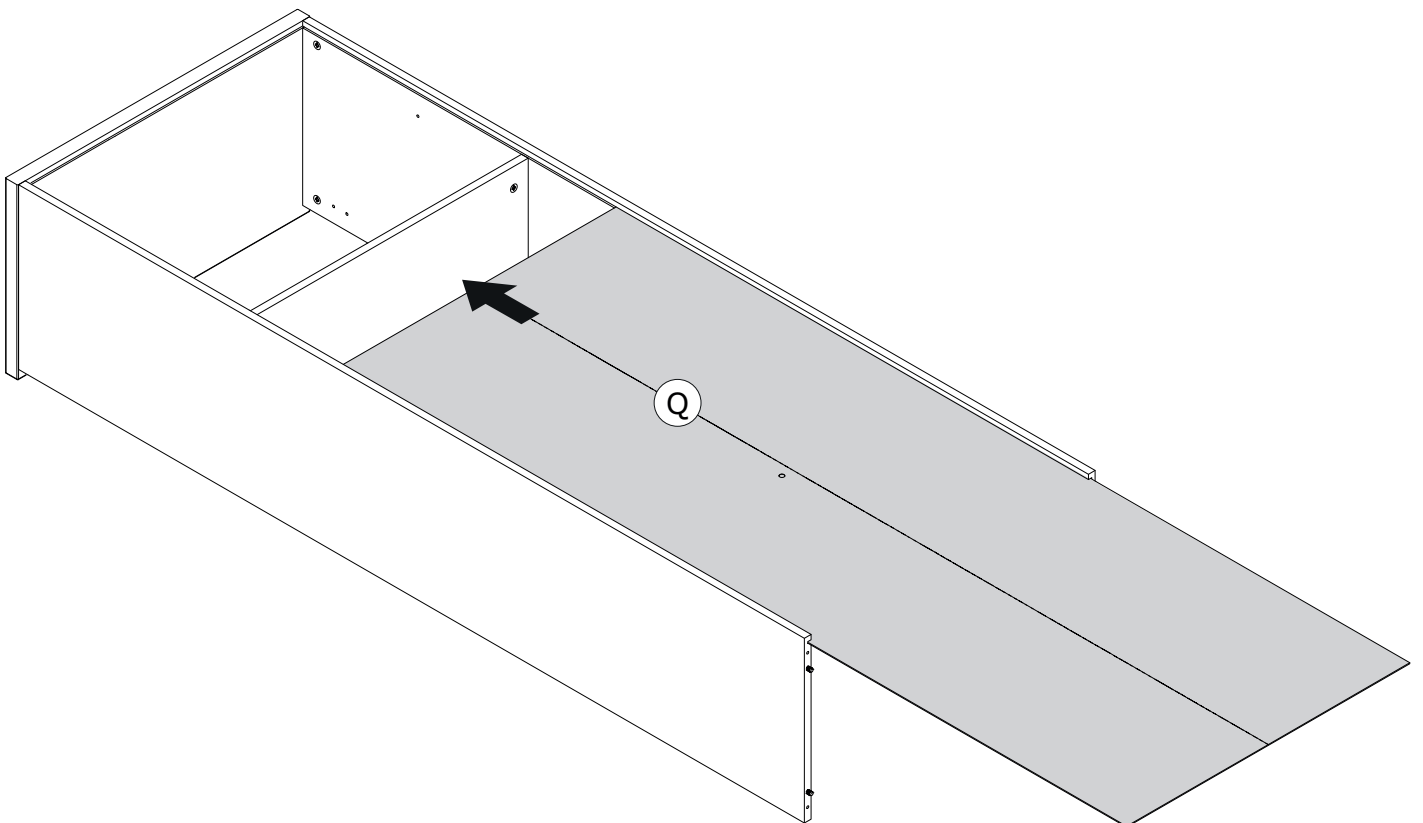




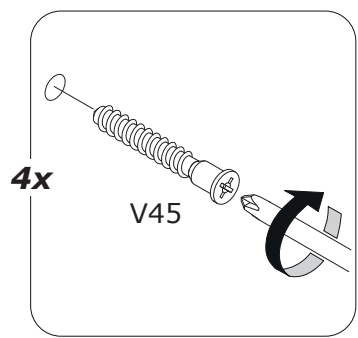
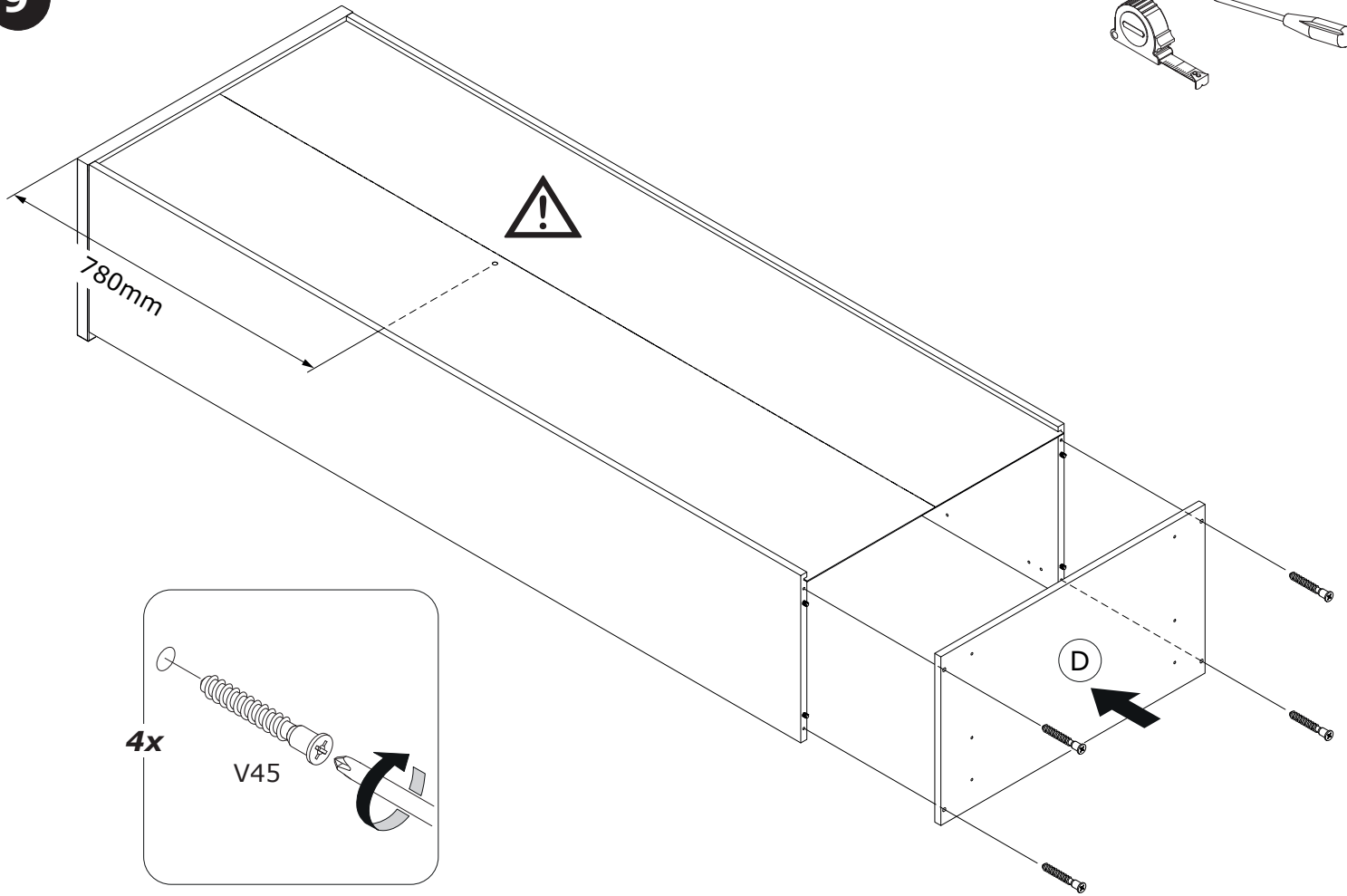
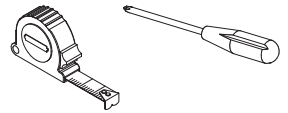
7



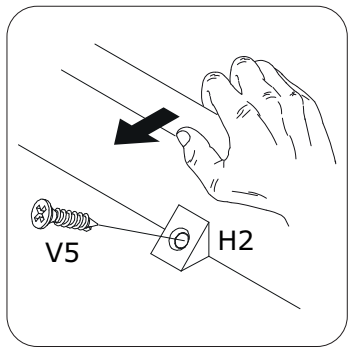
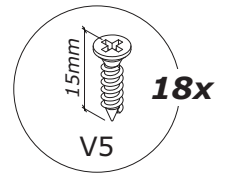
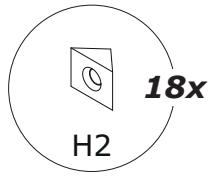
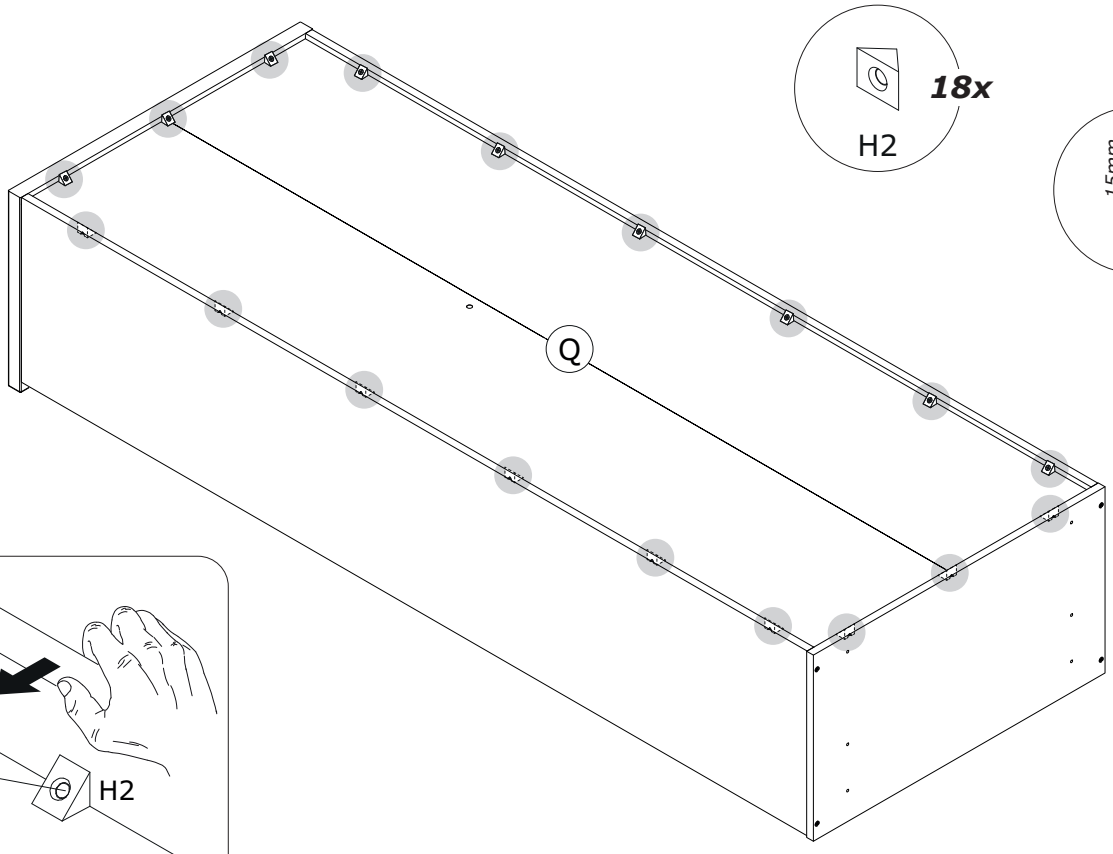
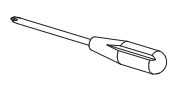
8



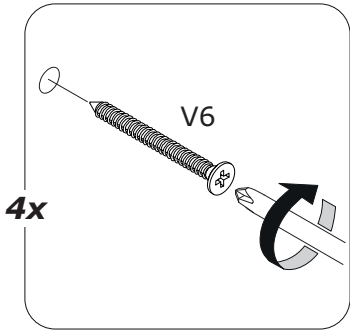
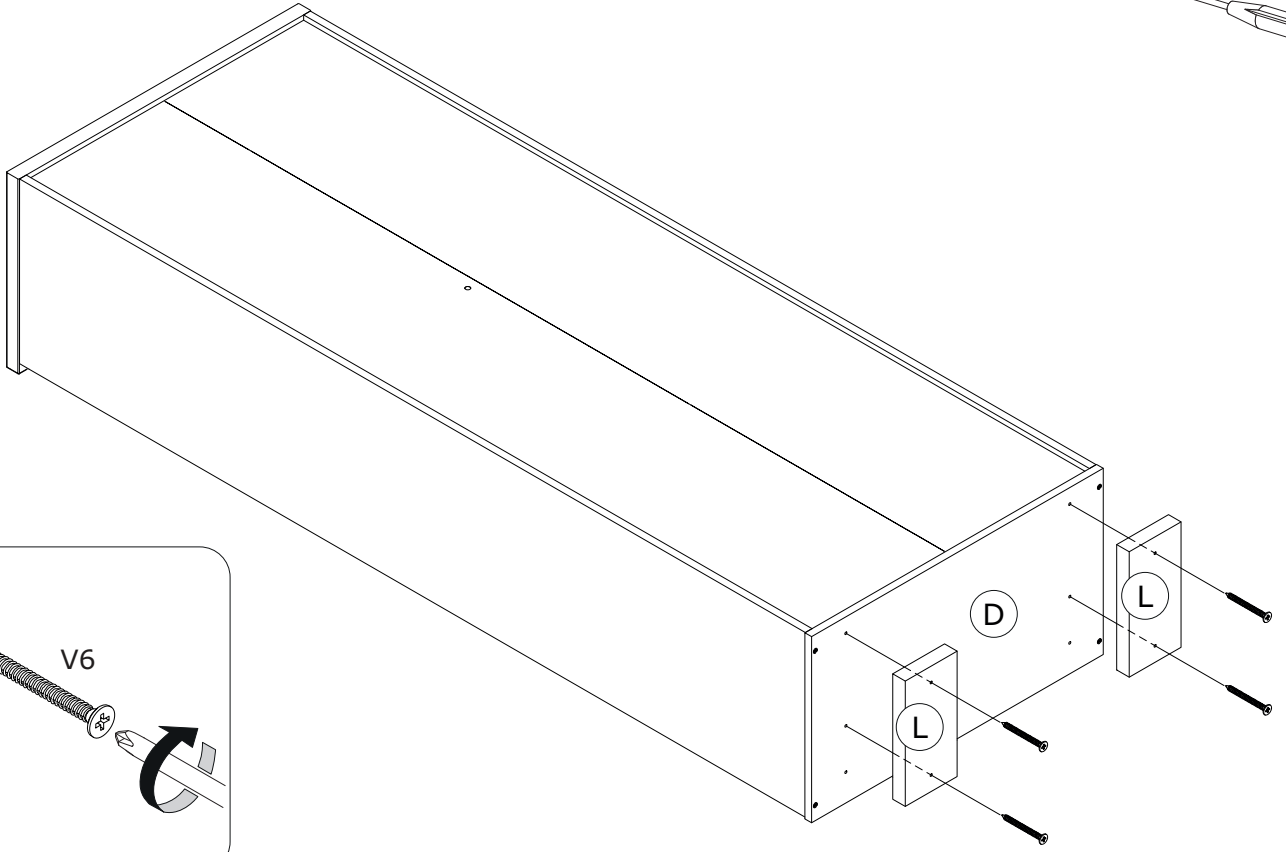
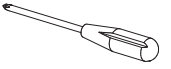
9



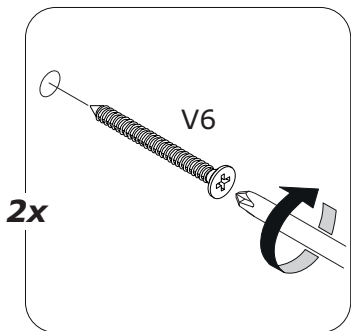
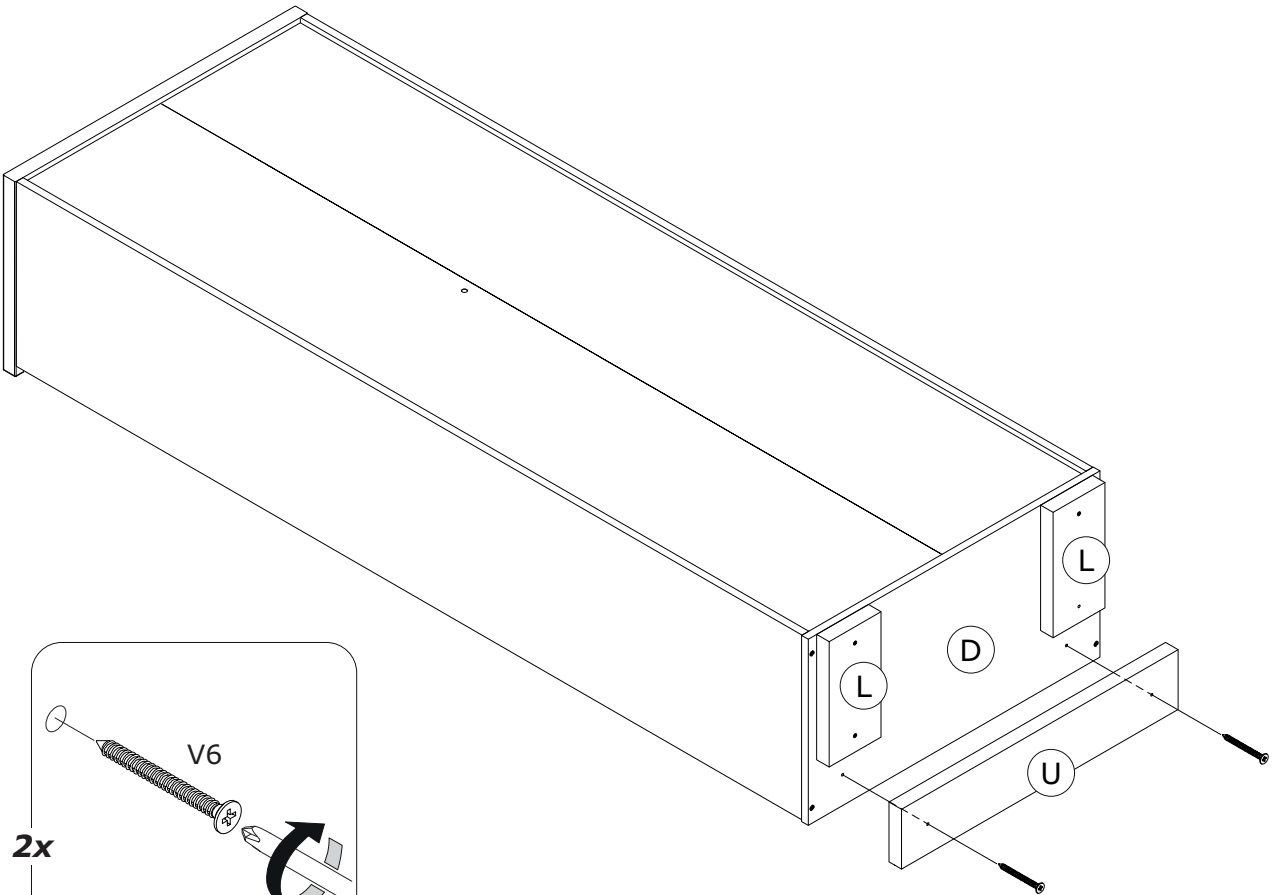
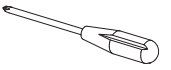
10

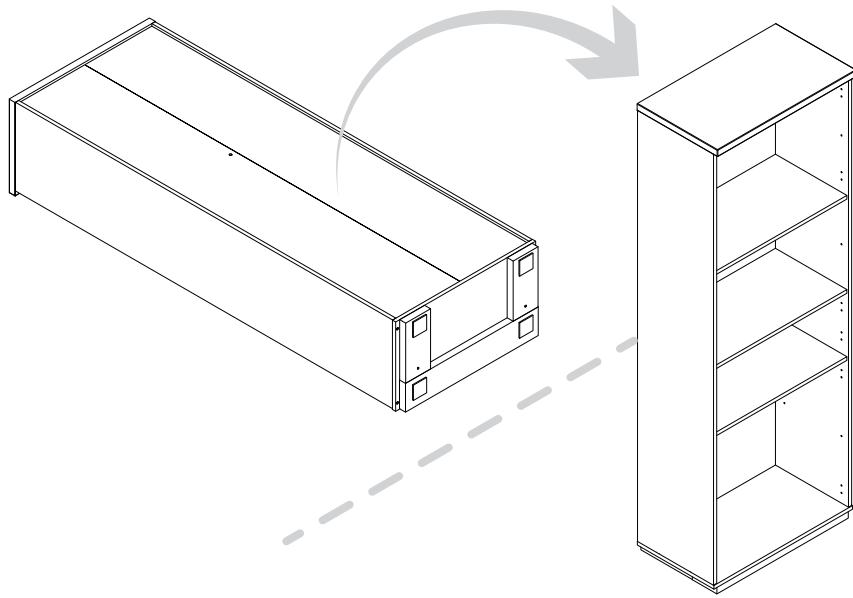
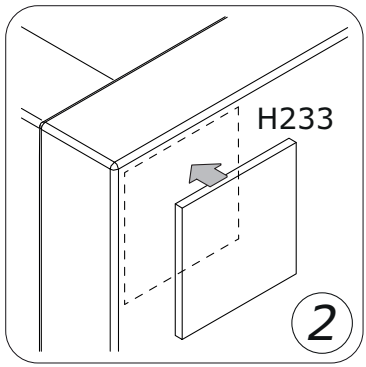
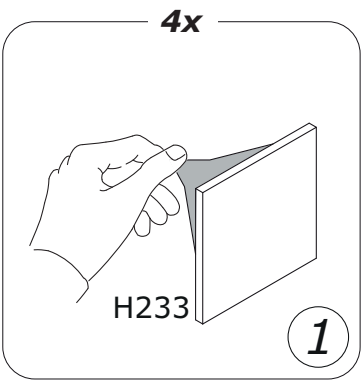
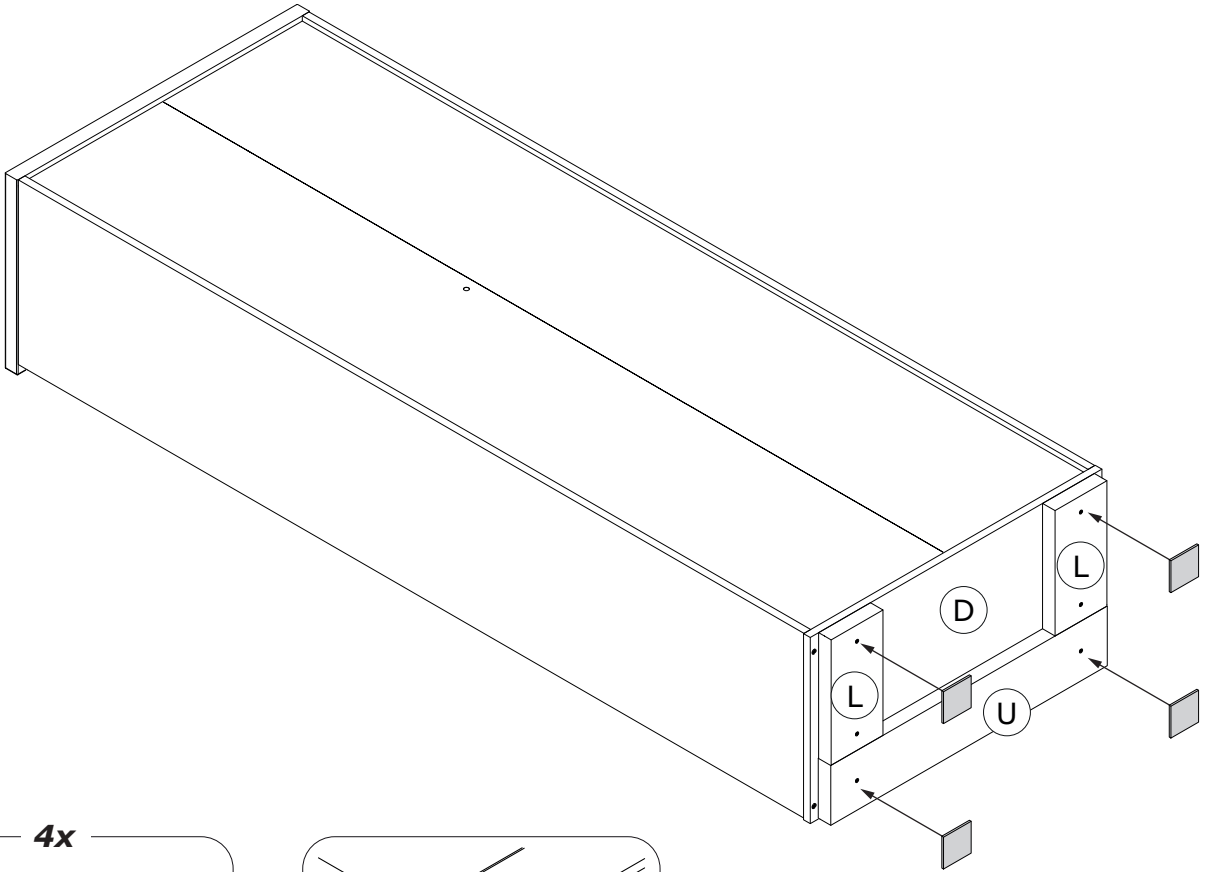


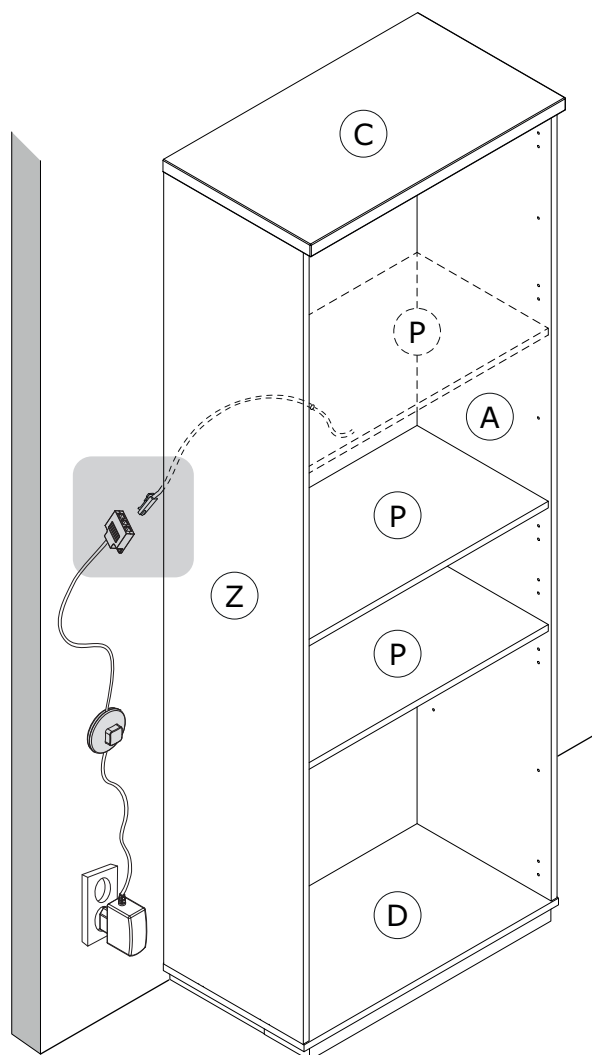
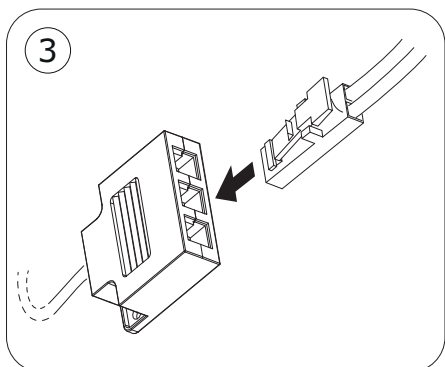
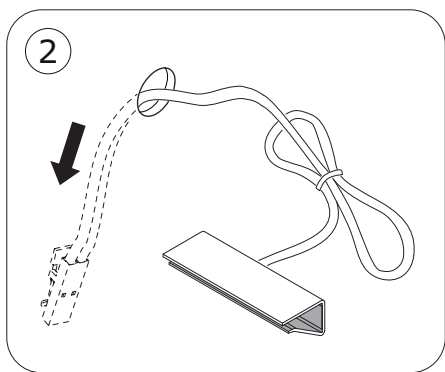
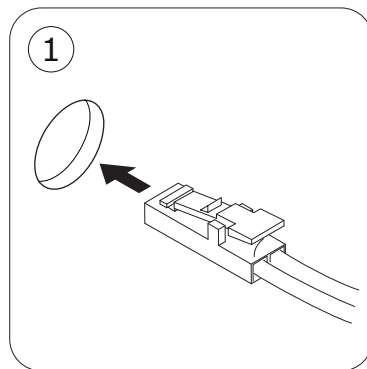
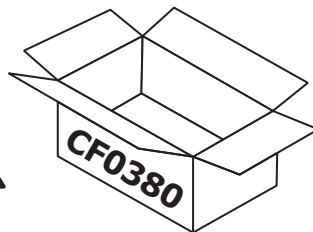
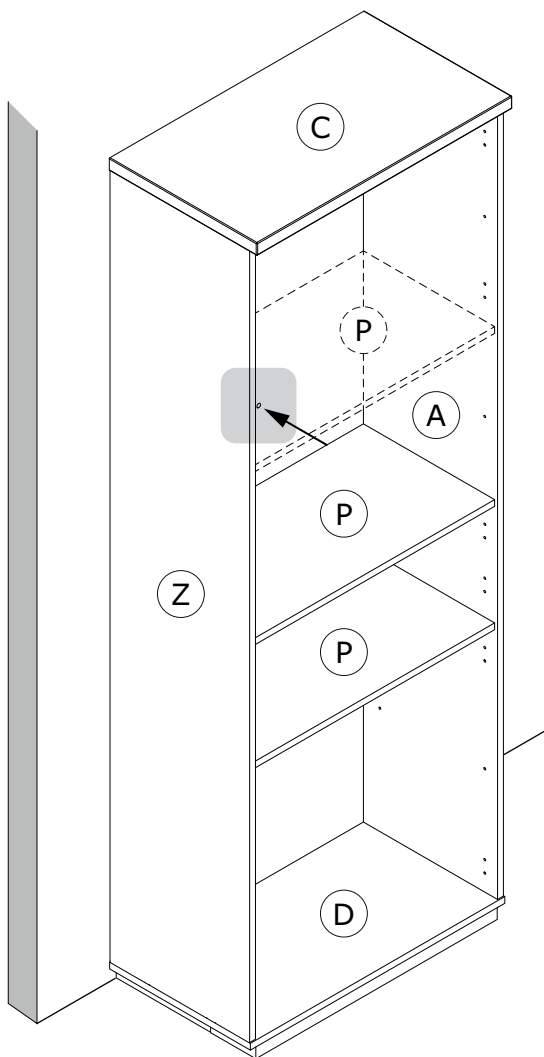
11

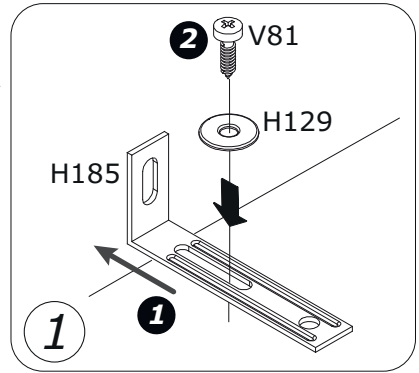
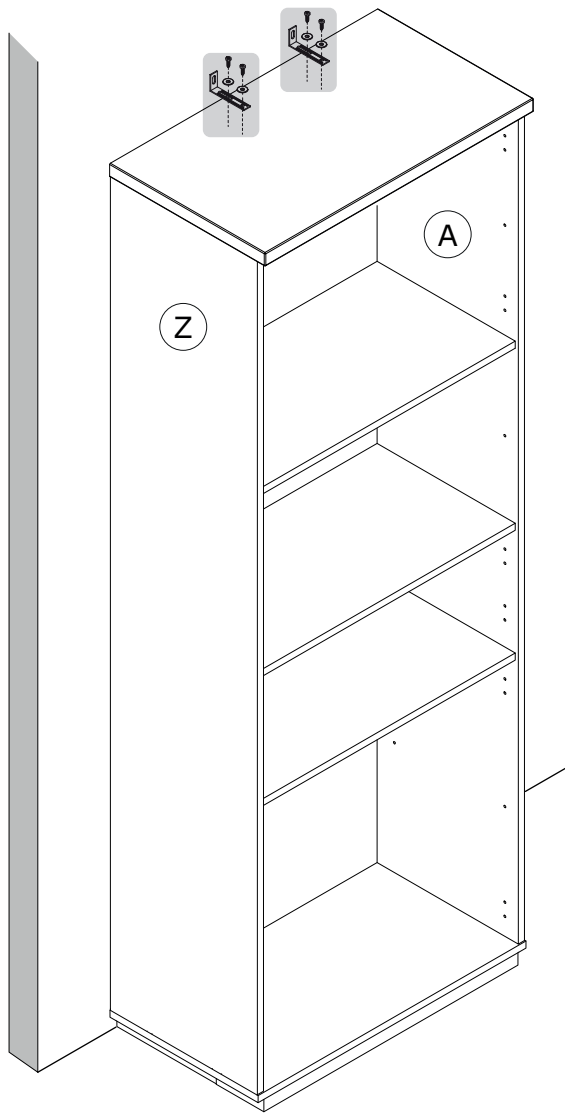
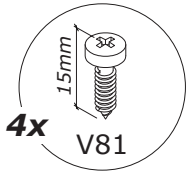


12









1

2

3

4

5

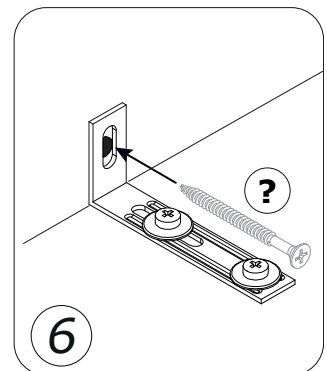
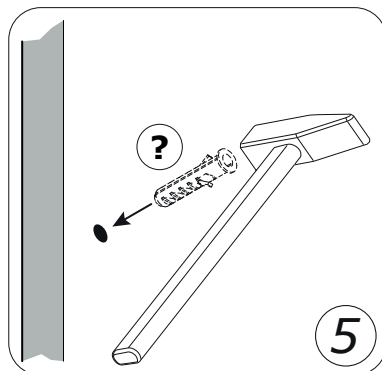
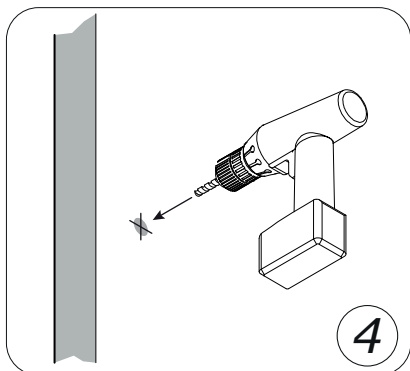
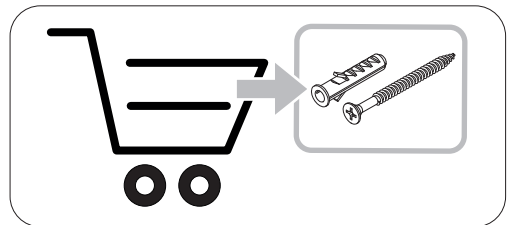
6

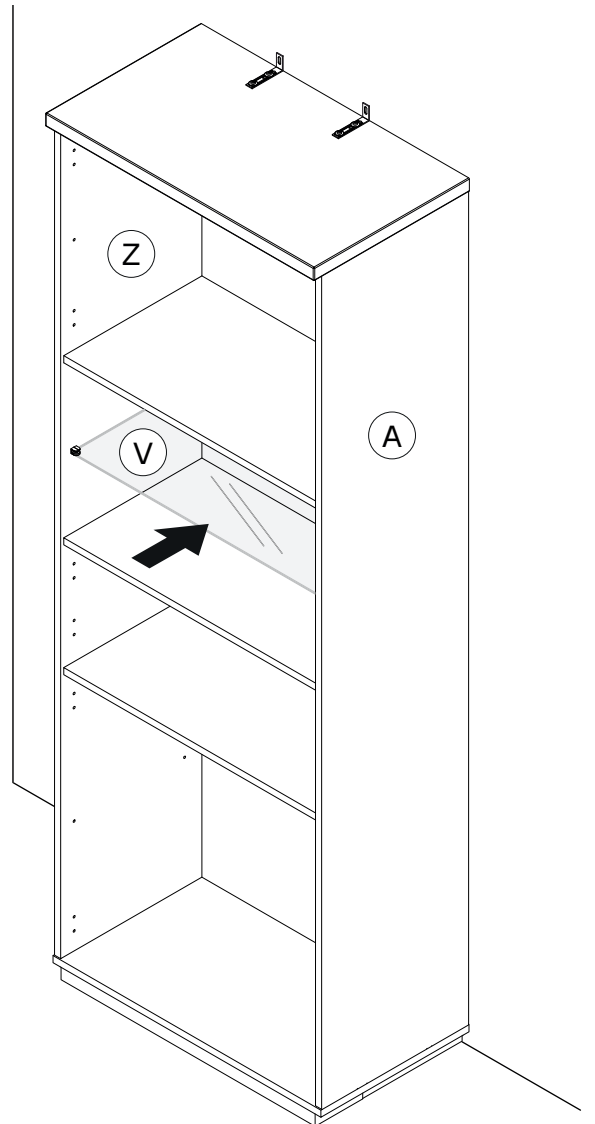
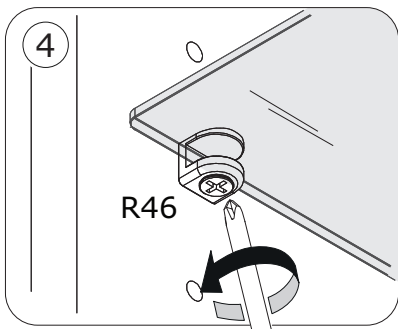
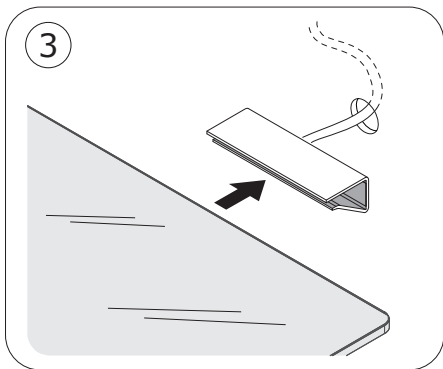
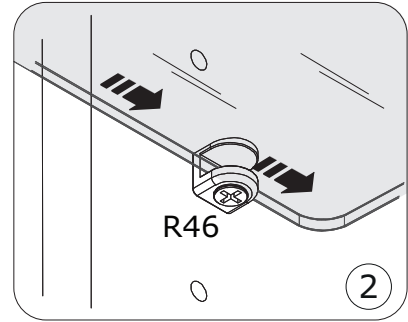
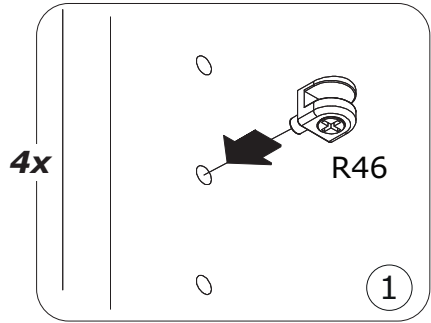
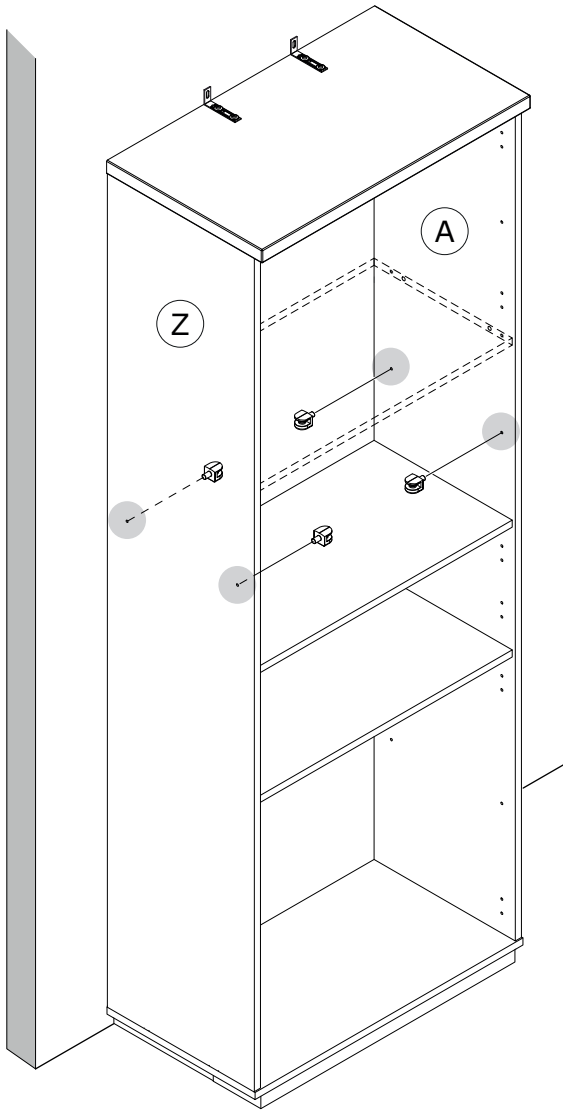
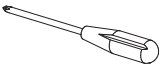
1

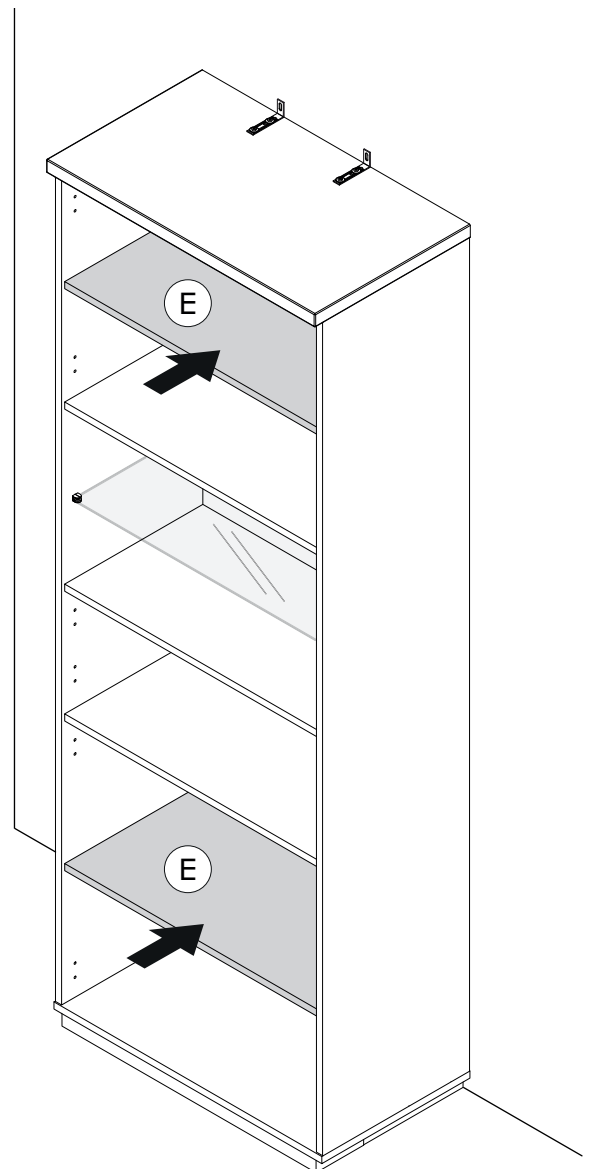
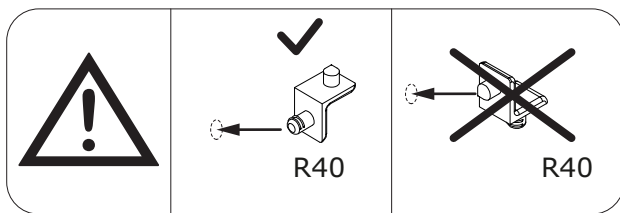
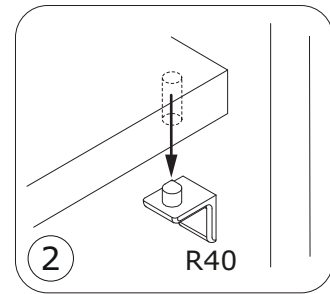
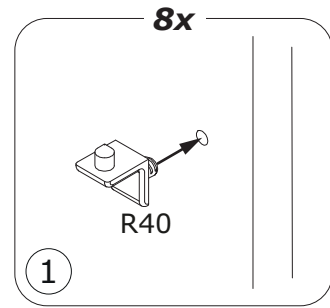
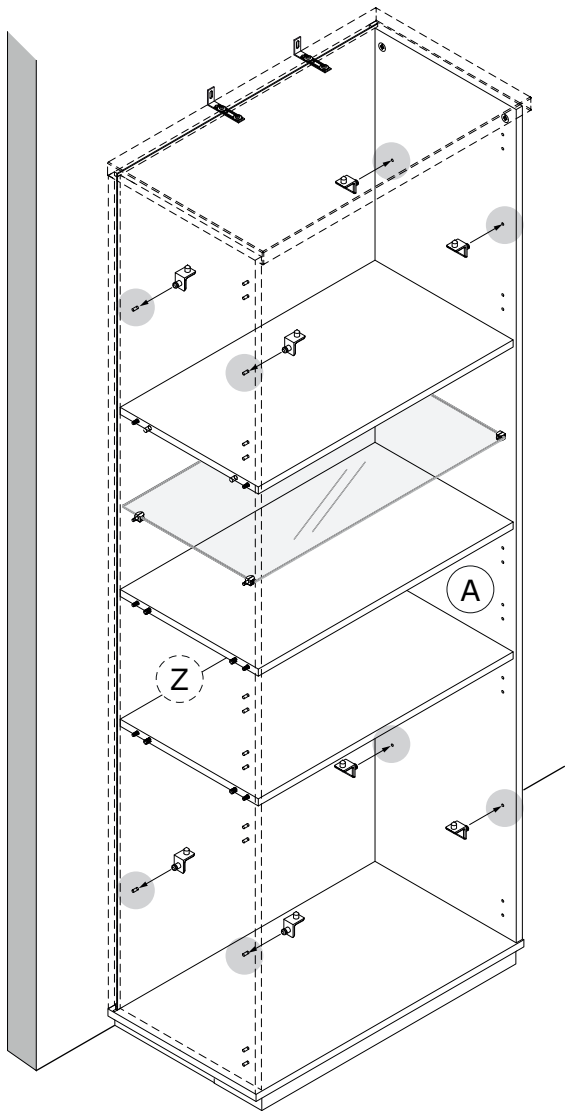
2

3

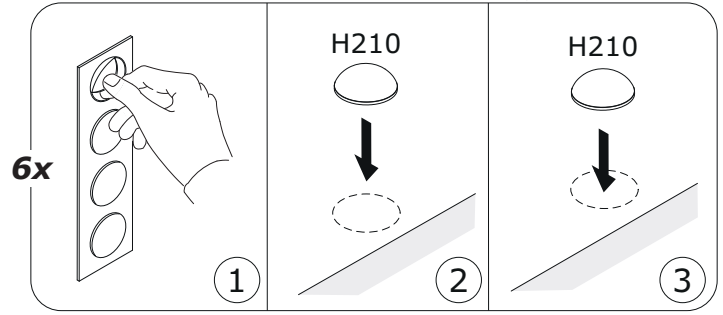
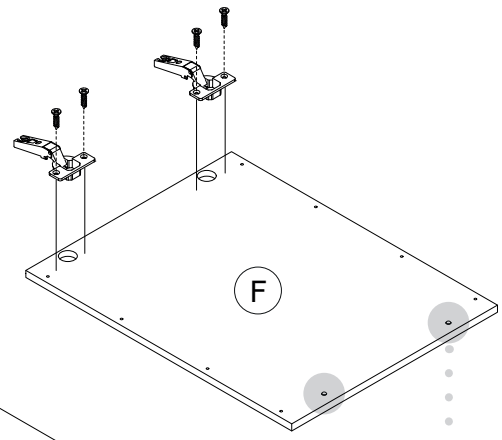
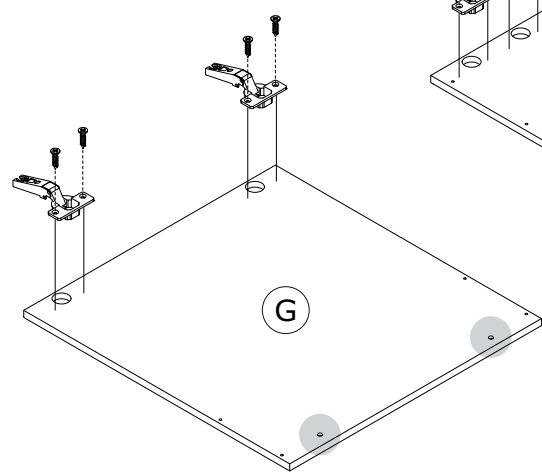
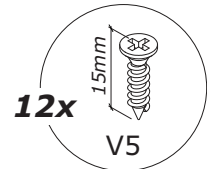
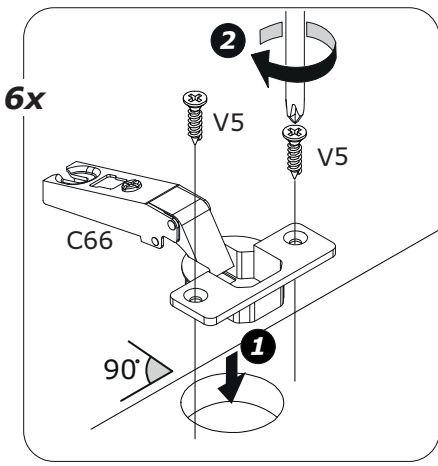
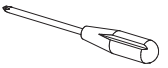
4









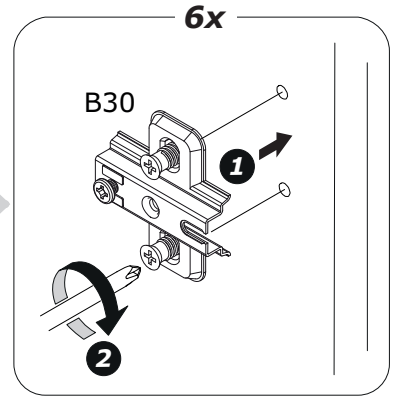
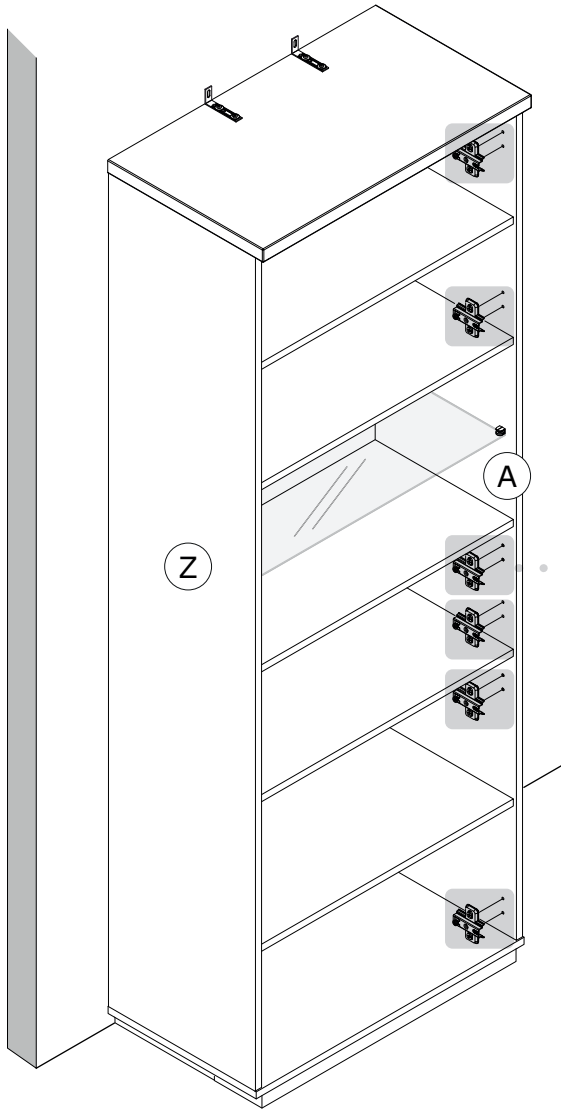
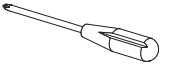


**A**  
19 - 24

**B**  
25 - 30

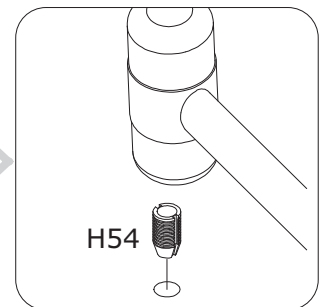
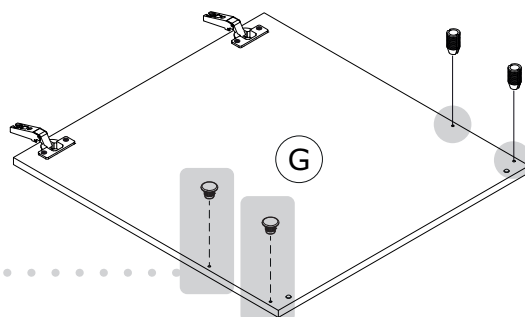
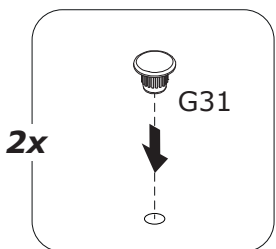
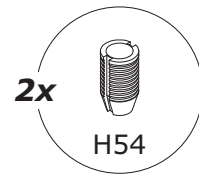
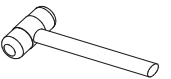
19

A

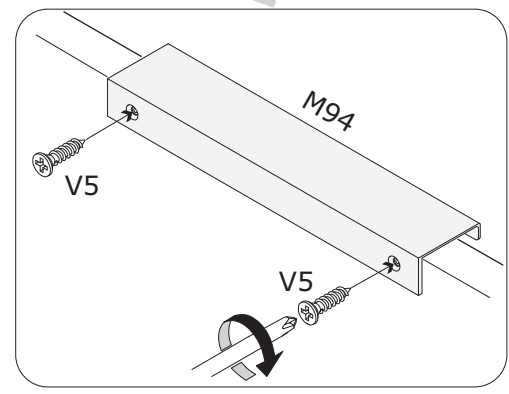
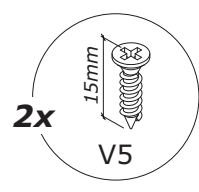
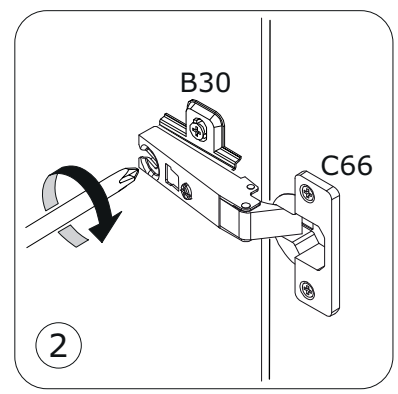
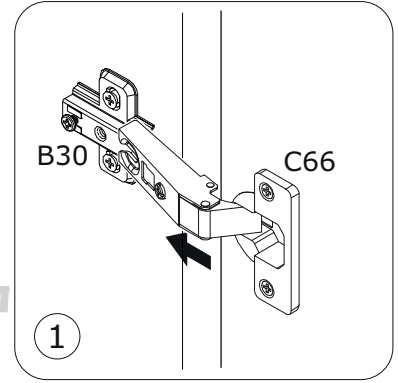
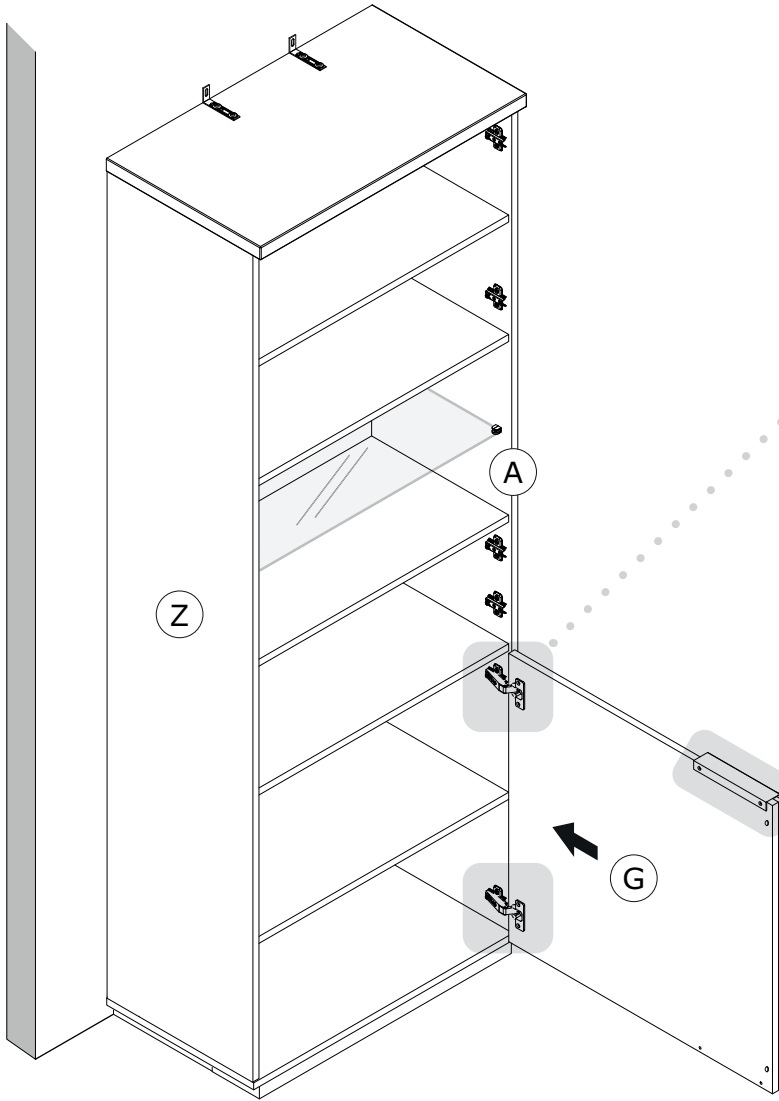
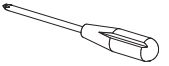


20

A

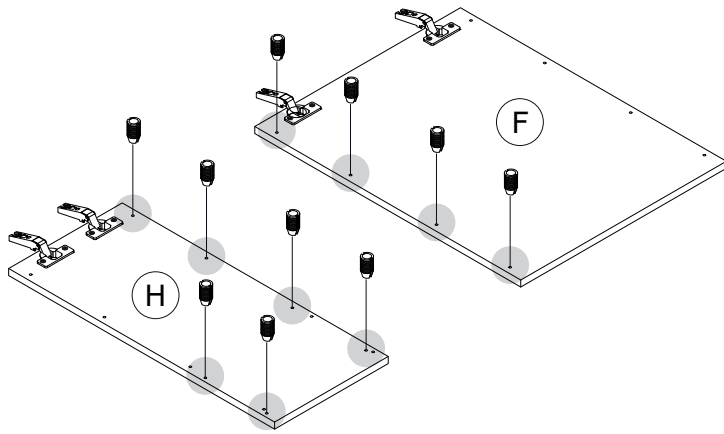


A



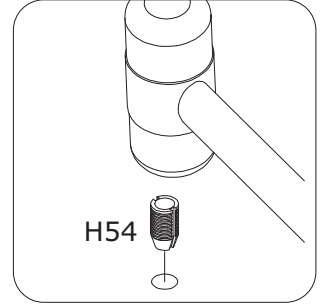
22

A



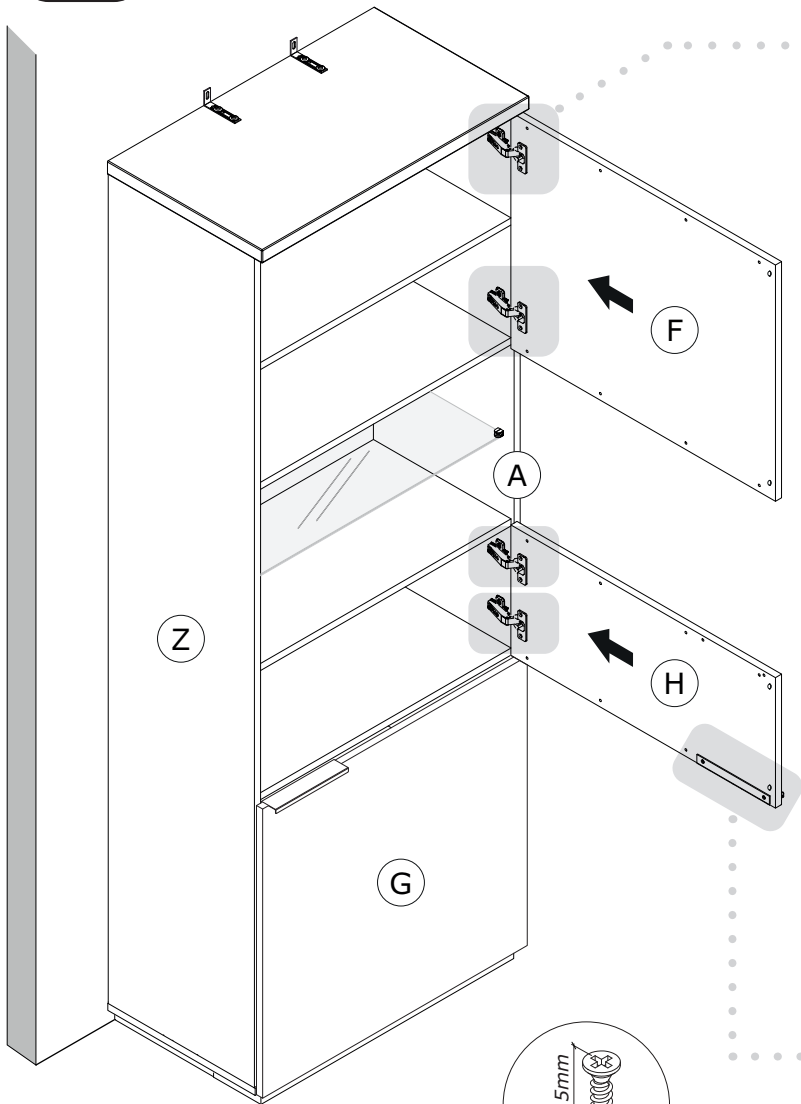
10x

H54



23

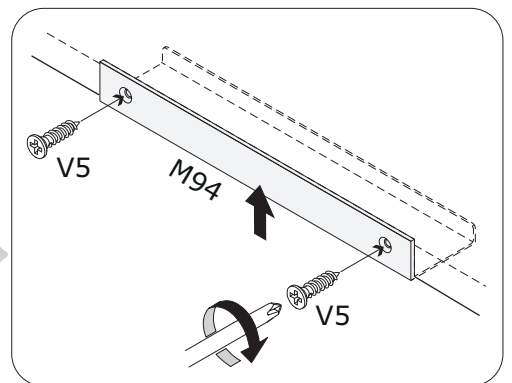
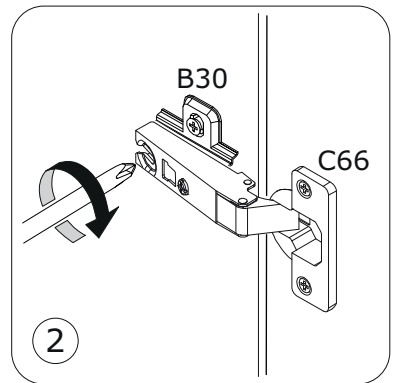
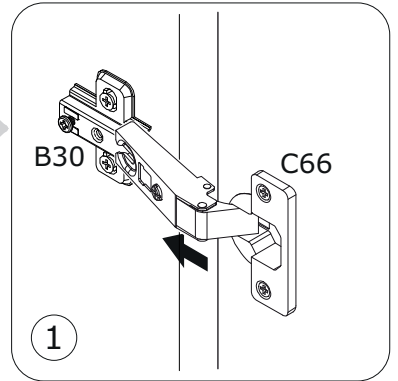
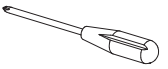
A



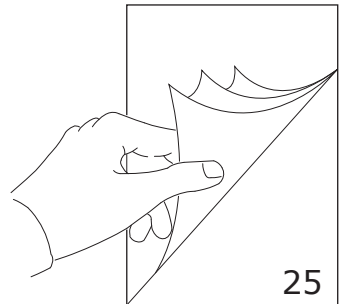
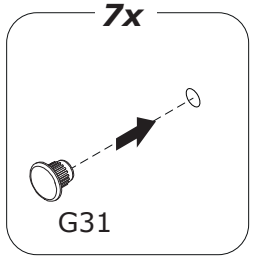
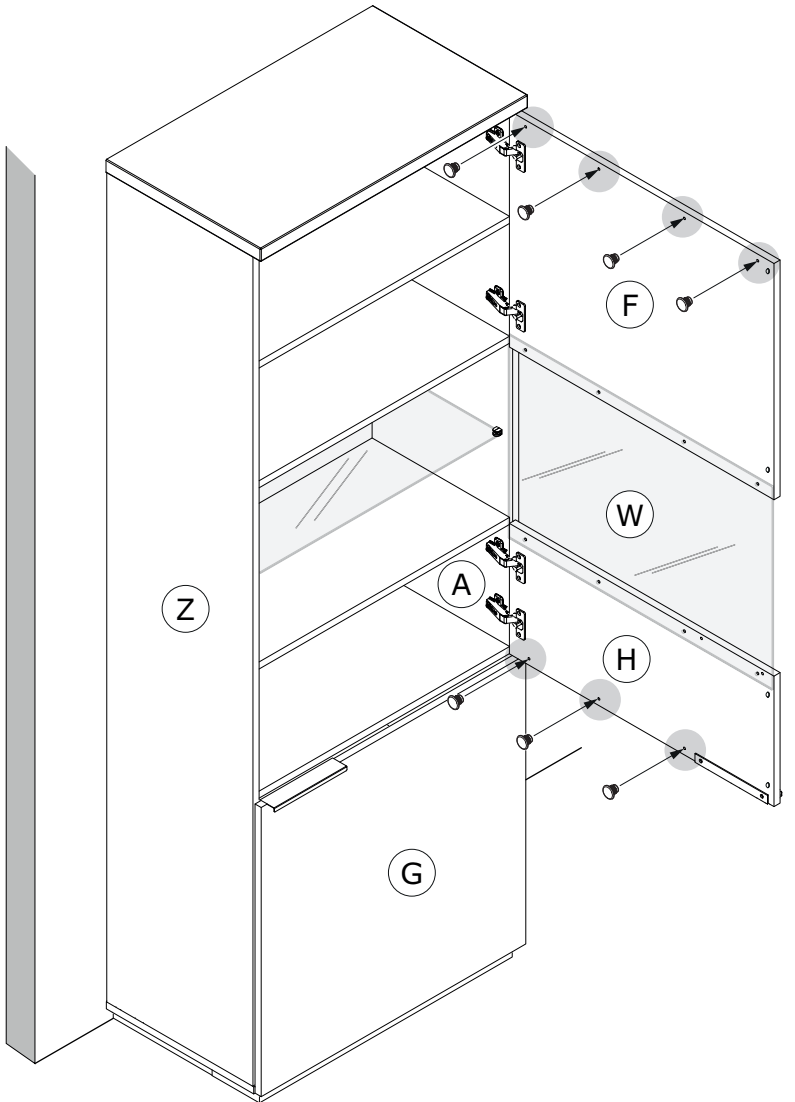
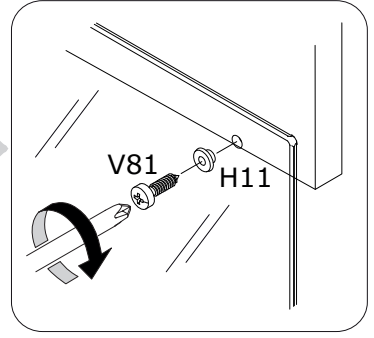
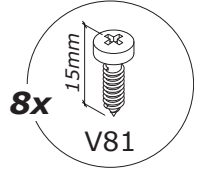
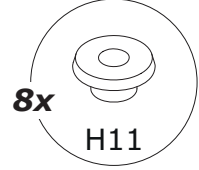
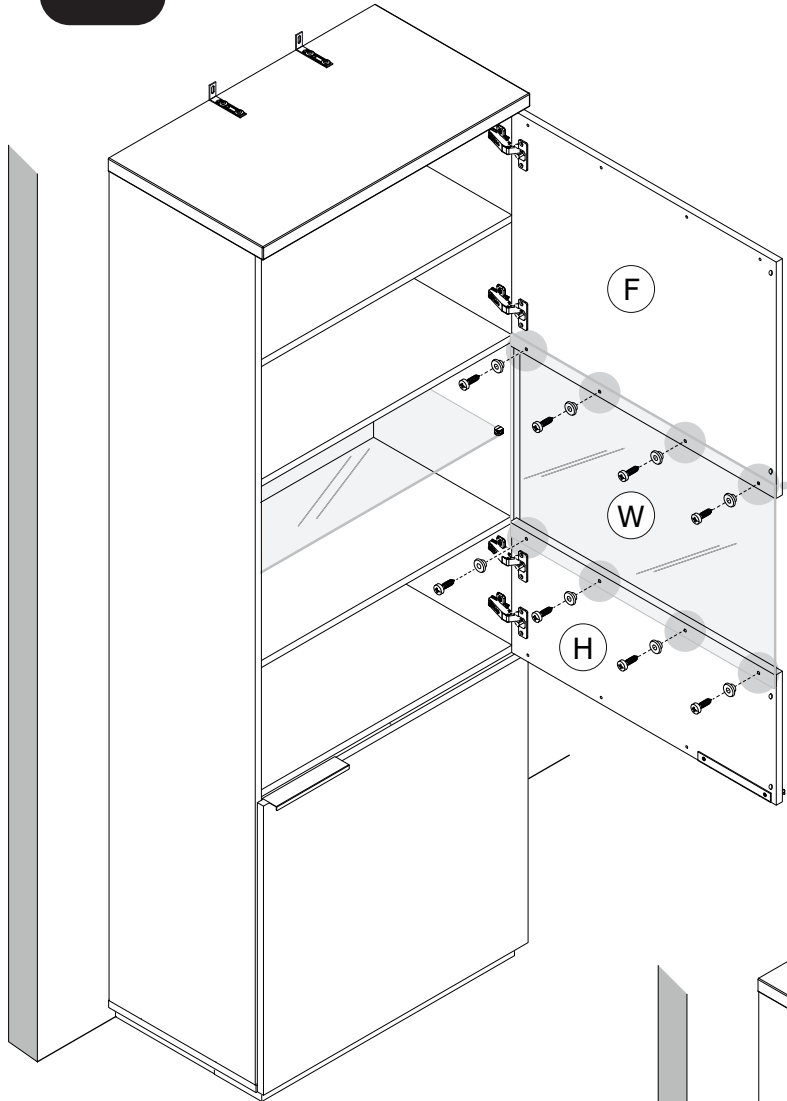
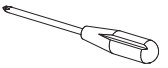
2x

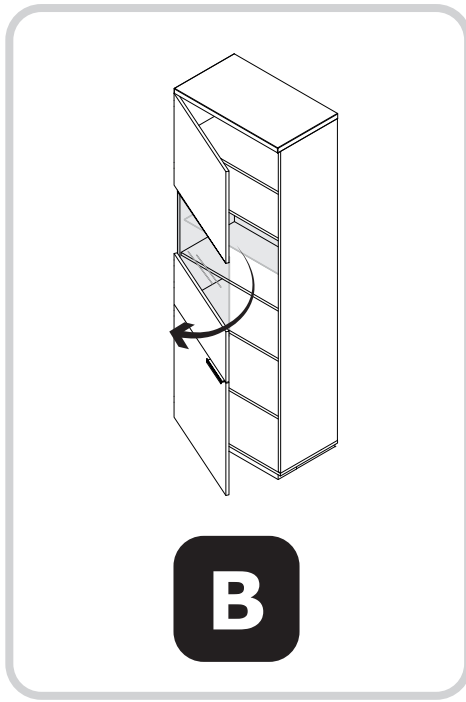
15mm

V5



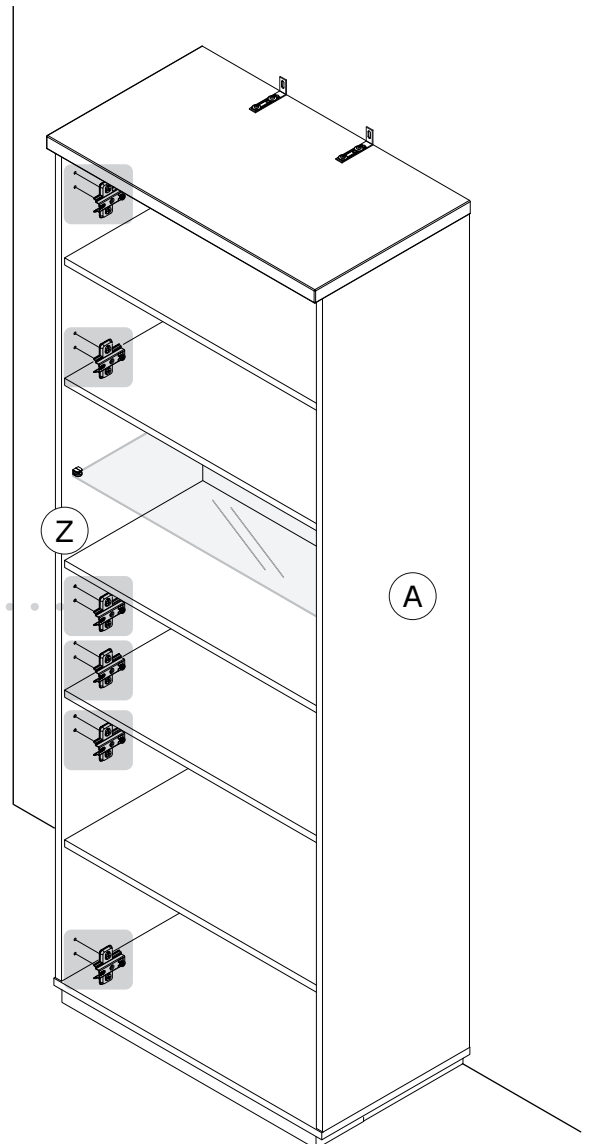
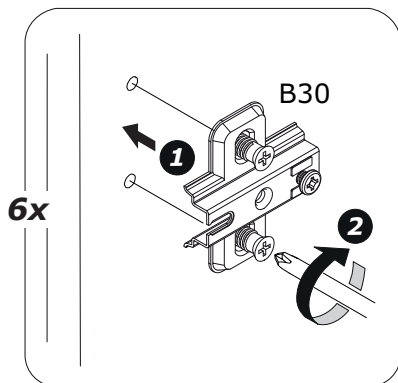
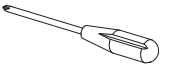
A





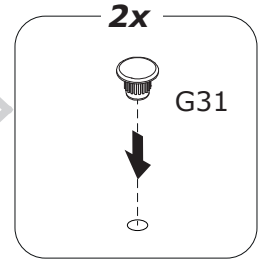
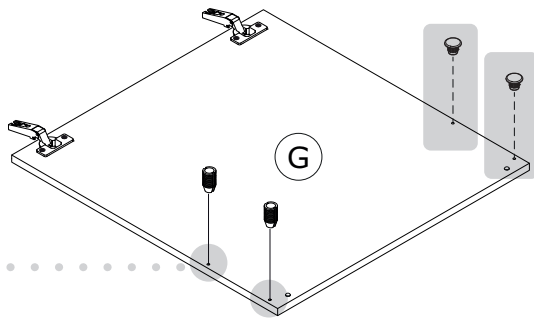
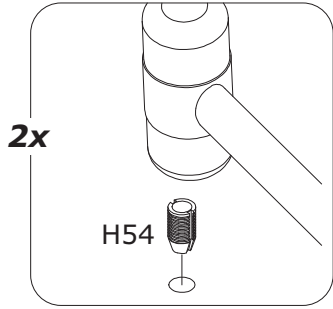
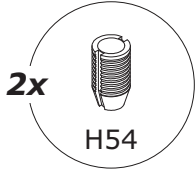
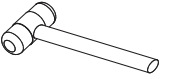
25

**B**



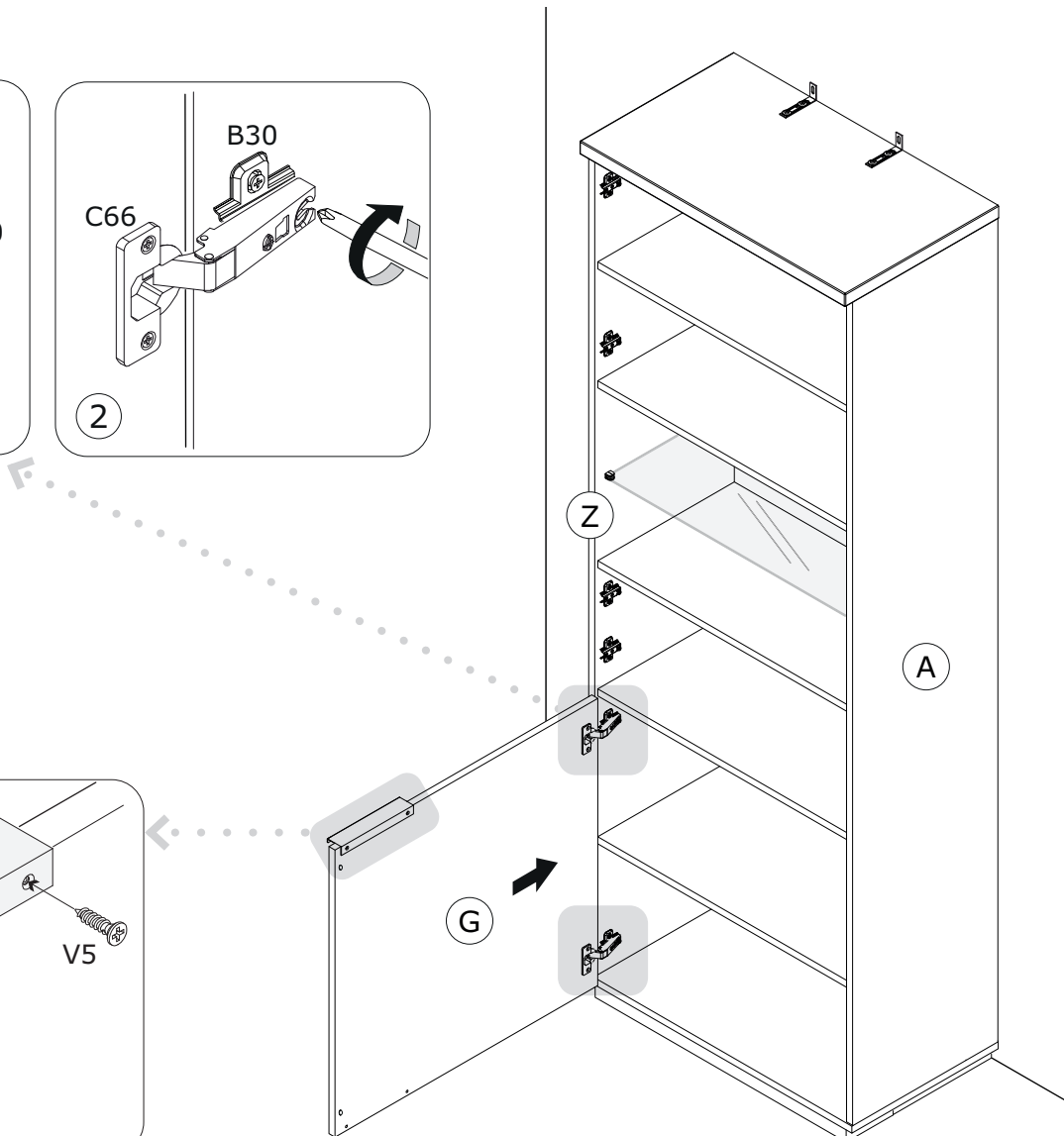
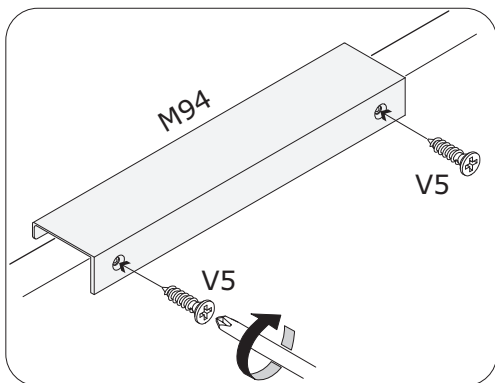
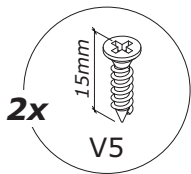
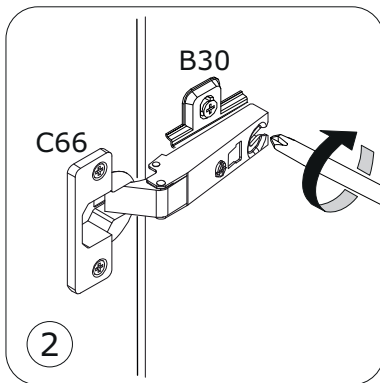
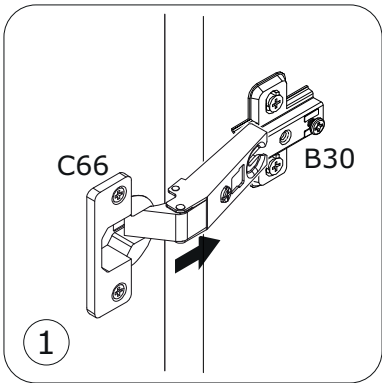
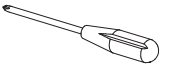
26

**B**



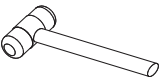
27

**B**



28

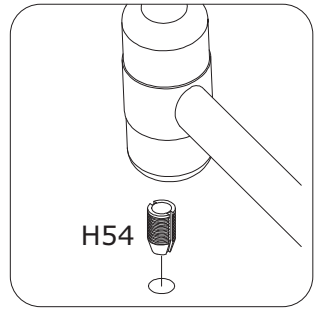
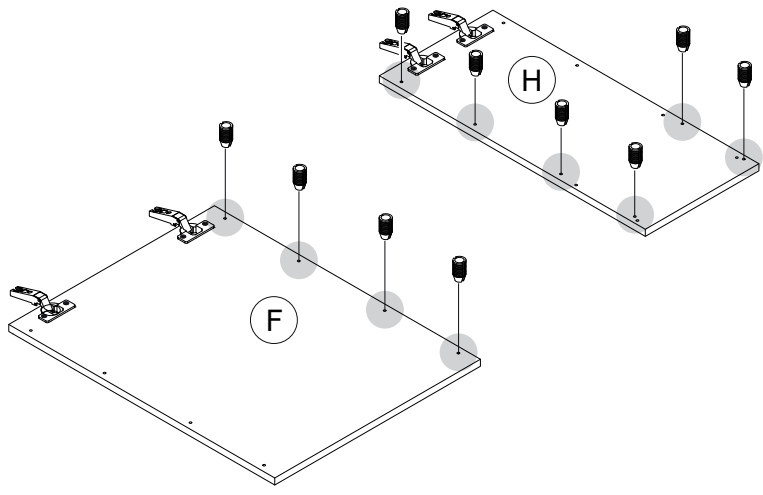
**B**



10x

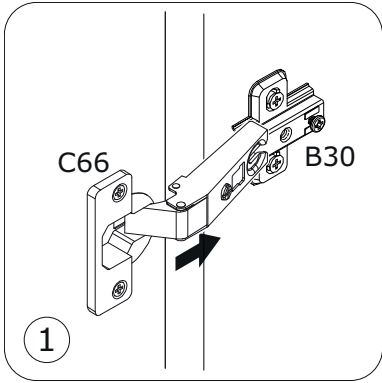
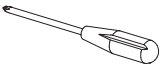


H54

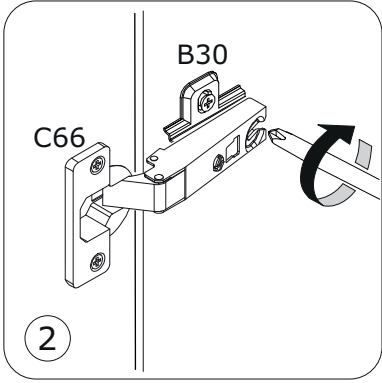


29

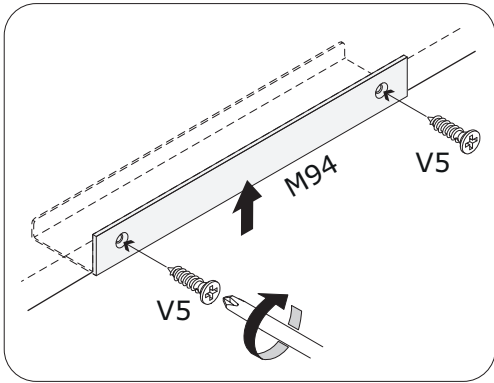
**B**



1



2



V5

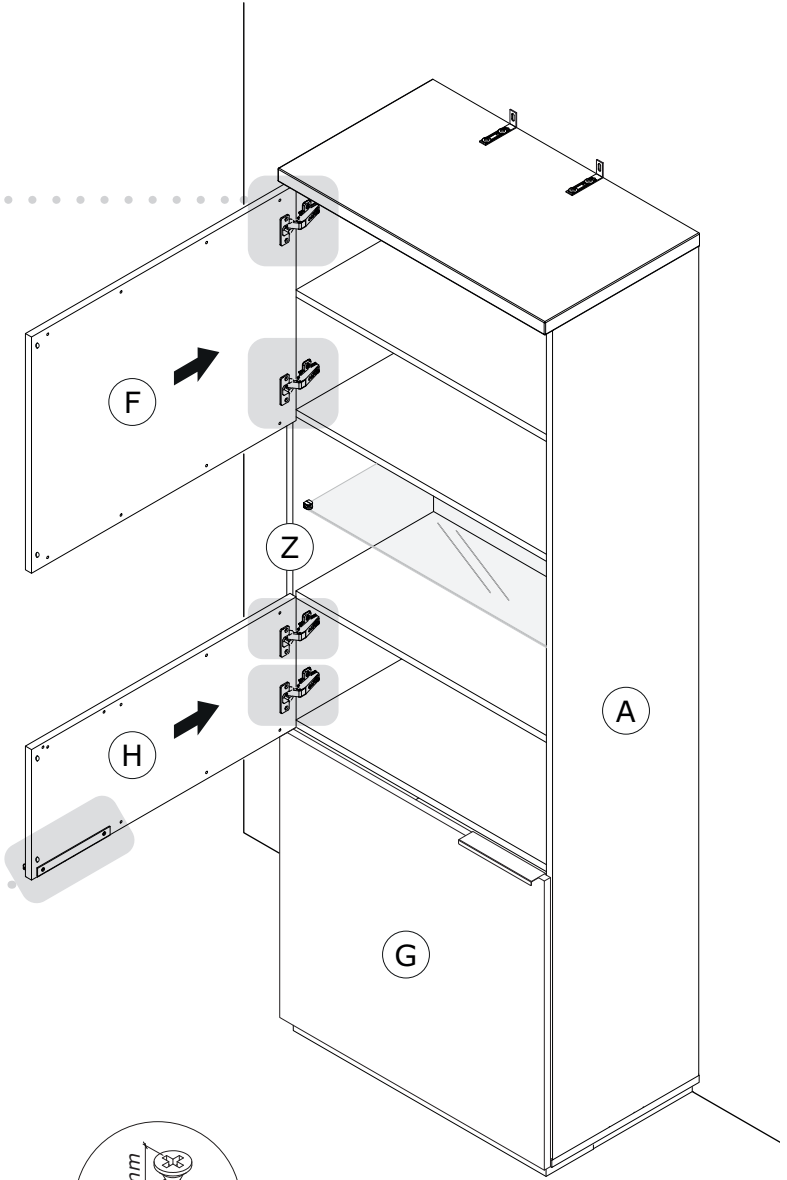
M94

V5

2x

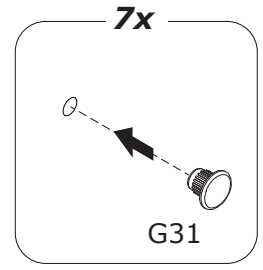
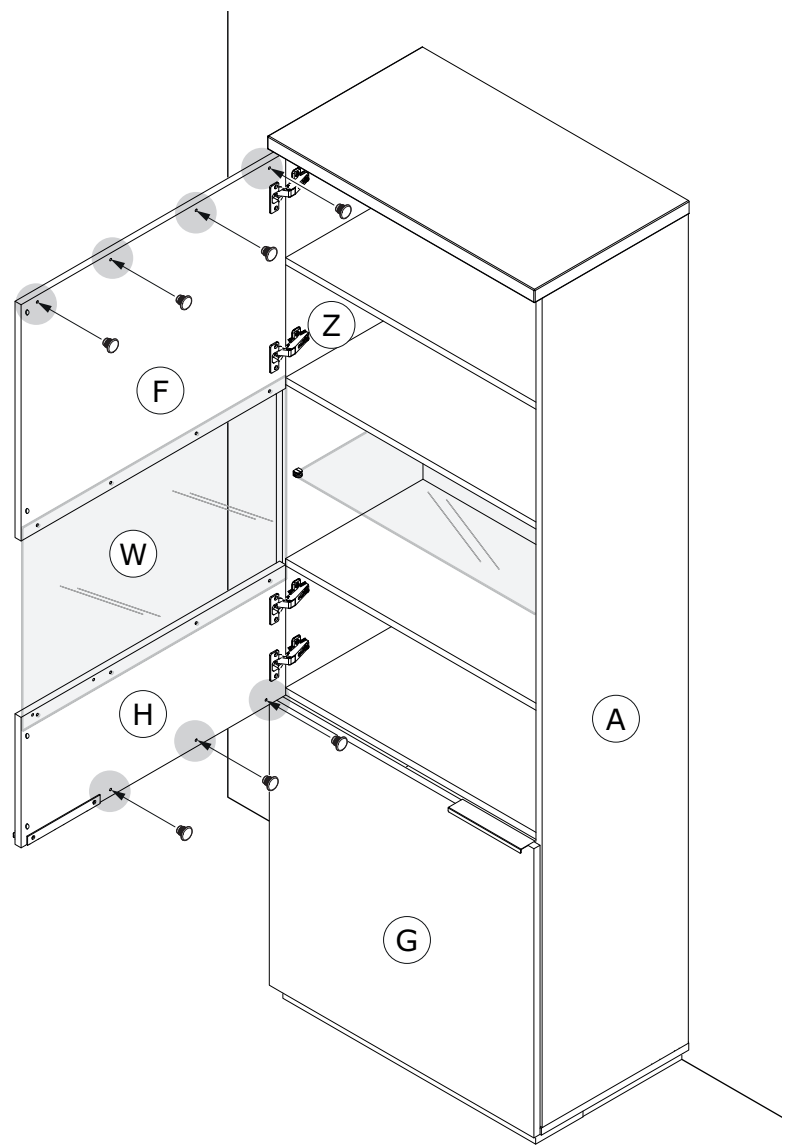
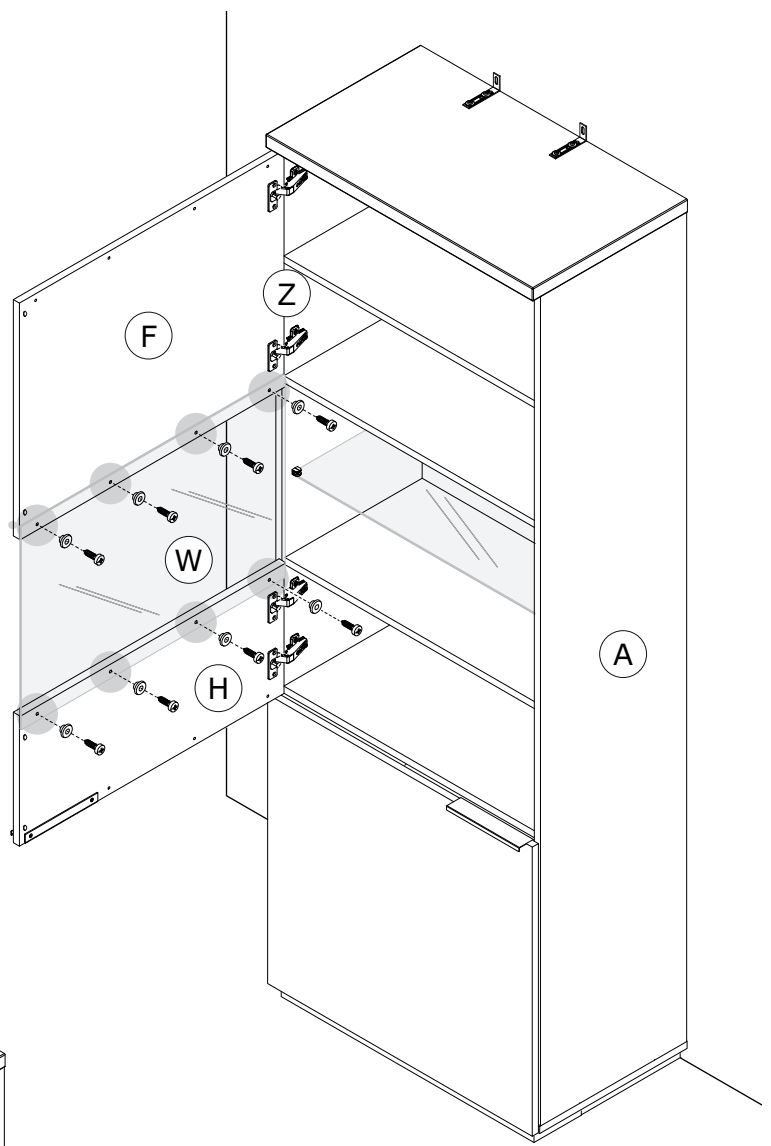
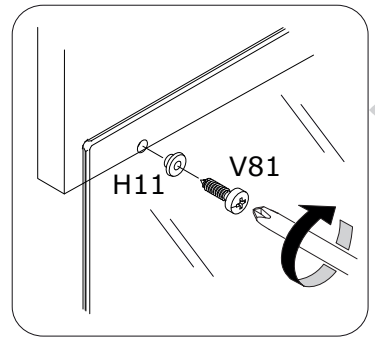
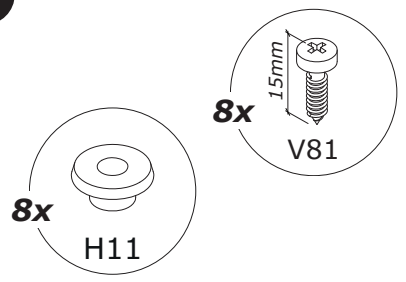
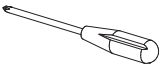


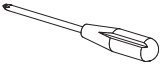
V5





**B**





# A B

